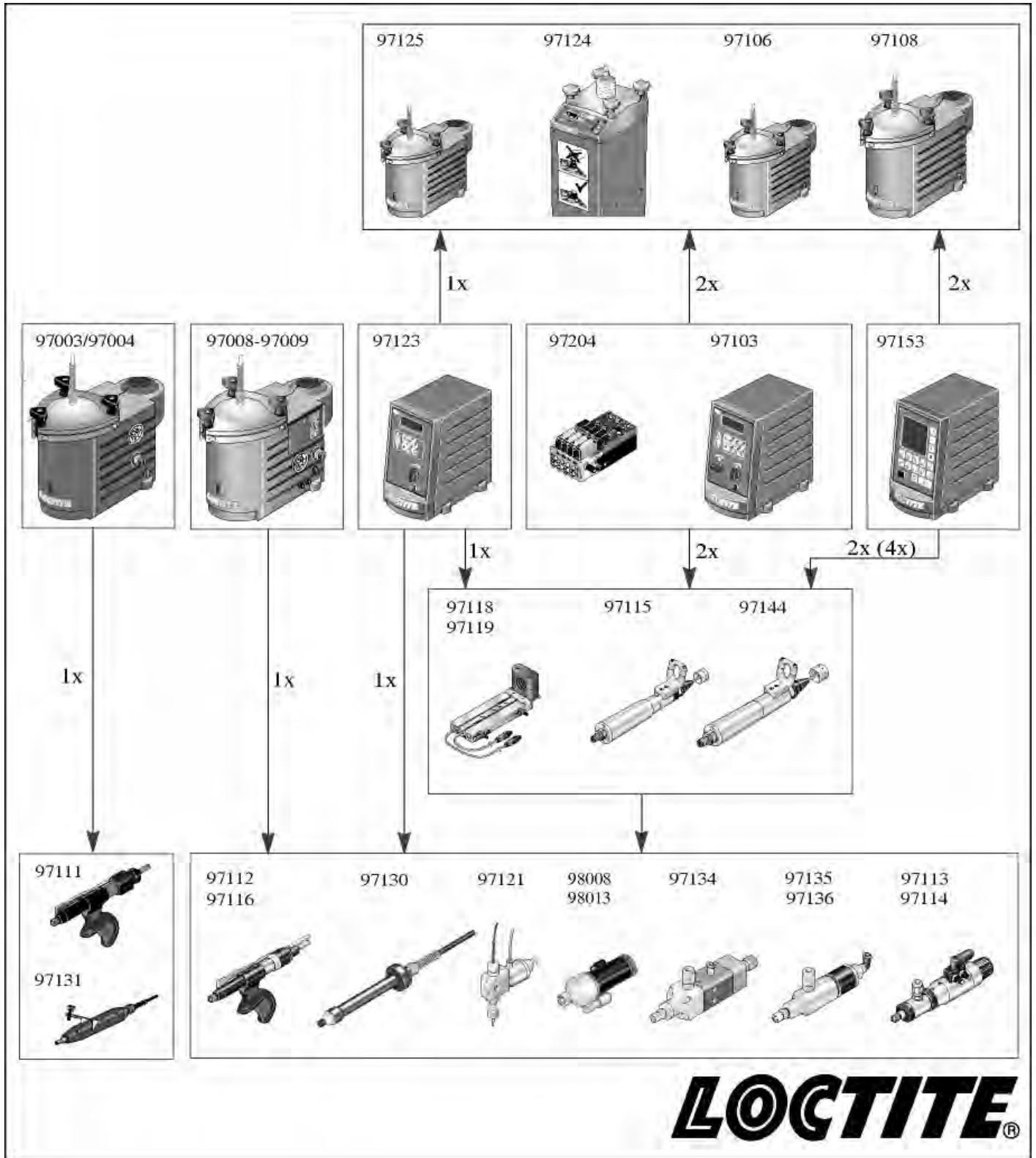


LOCTITE®

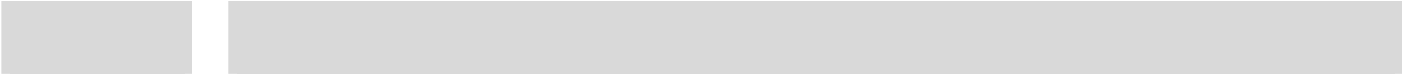
**Operating Manual
Bedienungsanleitung**

**2 l Semi-Automatic Dispense System
2 l-Halbautomatisches Dosiersystem
97008/97009**





LOCTITE®



English	3-21
Deutsch	22-39

Contents

1	Please observe the following	5
1.1	Emphasized Sections.....	5
1.2	Items Supplied.....	5
1.3	Field of Application (Intended Usage).....	5
1.4	For Your Safety.....	6
2	Description	7
2.1	Theory of Operation.....	7
2.2	Operating Elements and Connections.....	8
3	Technical Data	10
3.1	Energy Requirements.....	10
3.1.1	Electric's.....	10
3.1.2	Pneumatics.....	10
3.2	Connections and Dimensions.....	10
3.3	Other Data.....	10
3.4	Safety Device.....	10
4	Installation	11
4.1	Environmental and Operating Conditions.....	11
4.2	Space Requirements.....	11
4.3	Connecting the Unit.....	11
5	Dispensing	12
5.1	First Operation.....	12
5.2	Filling and Refilling the Product Reservoir.....	12
5.3	Adjusting the Dispensed Quantity.....	13
5.3.1	Time Controlled Mode.....	13
5.3.2	Continuous Mode.....	13
5.4	Shutdown for Longer Periods of Non-use.....	14
5.5	Returning to Operation after Longer Periods of Non-use.....	14
6	Care and Maintenance	14
7	Troubleshooting	15
7.1	Troubleshooting.....	15
7.2	Replacing the Rupture Disk.....	16
8	Adjusting the Level Sensor (only 97009)	17
9	Annex	18
9.1	Spare Parts.....	18
9.2	Pin Assignment XS 1.....	19
9.3	Declaration of EC Conformity.....	21

1.1 Emphasized Sections



Warning!

Refers to safety regulations and requires safety measures that protect the operator or other persons from injury or danger to life.



Caution!

Emphasizes what must be done or avoided so that the unit or other property is not damaged.



Notice

Gives recommendations for better handling or adjustment of the unit during operation as well as for service activities.

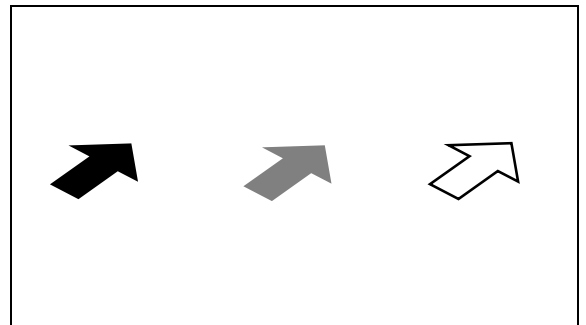
The numbers printed in bold in the text refer to the corresponding position numbers in the illustration on page 8-9.

- The point emphasizes an instruction step.

Instruction steps in the illustrations are indicated with arrows.

When several instruction steps are indicated in an illustration, the shading of the arrow has the following meaning:

- Black arrow = 1st step
- Grey arrow = 2nd step
- White arrow = 3rd step



1.2 Items Supplied

- Semi-automatic Dispense System Type 97008, Order No. 215844 or
- Semi-automatic Dispense System Type 97009, Order No. 215845
- Tube “Silicone Grease”
- Drip cup (3)
- Reservoir Fitting
- Bottle nesting basket (97009 only)
- Power cord
- Operating manual



Notice

As a result of technical development, the illustrations and descriptions in this instruction manual can deviate in detail from the actual unit delivered.

1.3 Field of Application (Intended Usage)

The Semi-automatic Dispense System is suitable for the exact application of LOCTITE® products at manual workstations such as in workshops, laboratories and industrial installations. It is designed for a product application position.

- The Semi-automatic Dispense System 97010 is equipped with precision pressure regulator 0-1 bar (0-15 PSI).
- Both, 97008 and 97009 are equipped with a **precision pressure regulator** 0-4 bar (0-60 PSI).
- The Controller 97009 additionally has a low level sensor.

With the Semi-automatic Dispense System, anaerobic, UV curing and cyanoacrylate adhesives can be dispensed.

The capacity of the integrated reservoir is:

- 500 gr. bottle for CA Products
- 250 ml bottle for Anaerobics
- Bottle with a ø 124 mm and a height of 250 mm
- 1 lb. bottle
- 1 Liter bottle
- 2 kg bottle

1.4 For Your Safety



For safe and successful operation of the unit, read these instructions completely. The manufacturer cannot be held responsible for damage or injury of any kind because of misuse or improper application or because of failure to observe safety instructions or warnings.

Be sure to retain this manual for future reference.

Request the technical data sheet and the safety data sheet (acc. to the EC Directive 91/155/EC) for the LOCTITE® product used at

Henkel KGaA

www.loctite.com

+49 89 92 68 11 67

089-92 68 11 22

for US and Canada version of data sheets

for English version of data sheets;

for German version of data sheets.



Caution!

Follow unconditionally the INSTRUCTIONS of these data sheets!



Warning!

If chemical products are not properly handled, damage to health can result!

Observe general safety regulations for the handling of chemicals!

Observe manufacturer's instructions!

Request a safety data sheet for the LOCTITE® product used!

When working with pressurized air, wear protective glasses!

Damage to the power cord or the housing can result in contact with live electrical parts.

Check the power cord and the unit before each use.

If the power cord or the unit is damaged, do not operate!

Replace a damaged power cord with a new one.

The unit may be opened and repaired only by an authorized service personal.

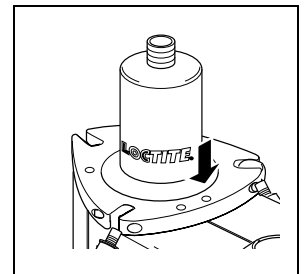
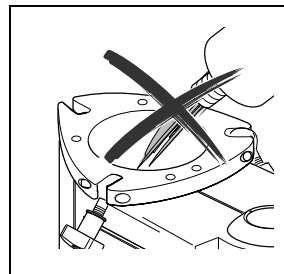


Warning!

Never fill the product directly into the Product Reservoir!

The pneumatic safety devices would become clogged and therefore ineffective!

Insert only products packaged in original LOCTITE® containers!



2.1 Theory of Operation

The Semi-automatic Dispense System is connected to an external pneumatic supply. It regulates the adjusted dispensing pressure and controls the dispensing during the selected dispensing time. An uncovered bottle of LOCTITE® product is placed directly into the integrated reservoir, and the reservoir lid is clamped in place.

It is then pressurized using clean, filtered dry air. Air within the reservoir will push down on the liquid in the bottle and force it through the product feedline to the dispensing valve.

The amount of product dispensed is controlled by three main factors:

- Amount of pressure in the reservoir
- Length of time the dispensing valve remains open
- Dispensing needle size

Additional Features (97009 only)

Two additional features are available from batch no. 2FFE0001.

EMPTY:

If the reservoir is empty the contact of the level sensor opens. A beeping tone indicates the message and the sign “U” is displayed.

READY:

If the dispensing cycle is finished and the reservoir is not empty closes a contact.

Both signals are available as dry contacts at the XS 1 start interface for optional connection to a higher-ranking controller or a warning light.

The start of a dispensing cycle is not locked when EMPTY is indicated.

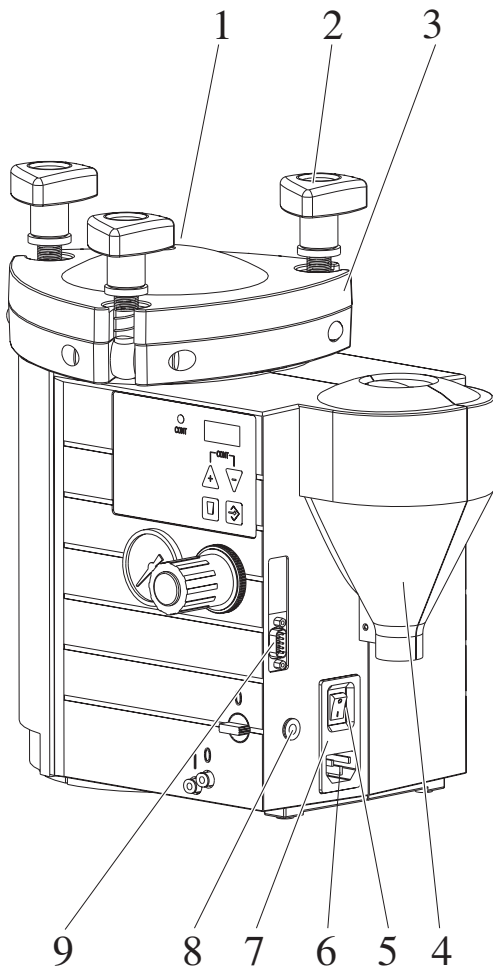
**Caution!**

Pay attention if cyanoacrylate is dispensed – Air in the feedline results in curing of the product!

When the user quits the EMPTY message and the beeping tone with the button ENTER the signal at the interface XS 1 is quit, too.

The READY signal will only be indicated, when the reservoir is refilled and the sensor is activated.

2.2 Operating Elements and Connections



1 **Reservoir Tank Fitting** ¼" NPT

2 **Reservoir Knob**

3 **Reservoir Lid**

4 **Drip Funnel**

While changing the product bottle, the reservoir lid can be placed here.

5 **Power Switch I/O (ON/OFF)**

6 **Power Supply Socket**

7 **Power Fuse, 2 A semi time-lag, glass type**



Warning!

Removing, jumpering or over riding of the safety devices can result in damage to the unit and is therefore prohibited!

8 **Pneumatic Supply**

9 **Socket XS 1: Start**

The footswitch is connected here. It is also the output for the READY and EMPTY signals.

10 **Depressurizing Valve**

Valve position \oplus : The reservoir is depressurized.

Valve position \ominus : The reservoir can be pressurized.

11 **Control Air Connection: Dispensing Valve A**

Dispensing valve open I.

Dispensing valve closed O.

Close port O for single actuated valve.

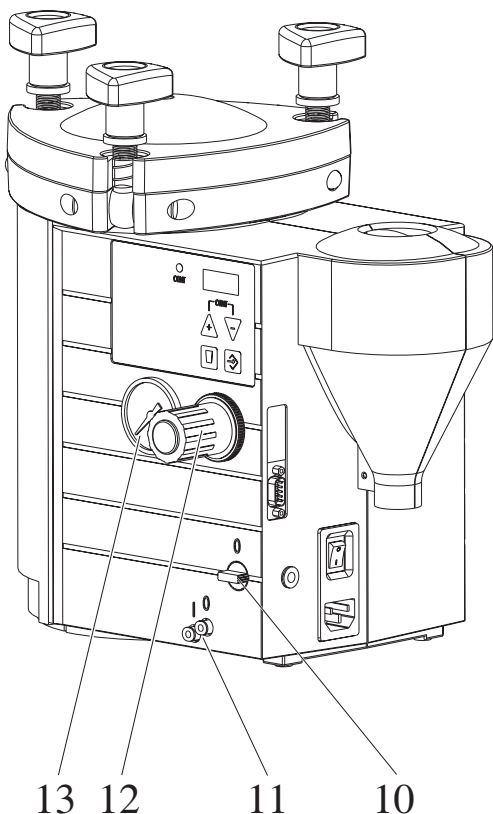
12 **Pressure Regulator**

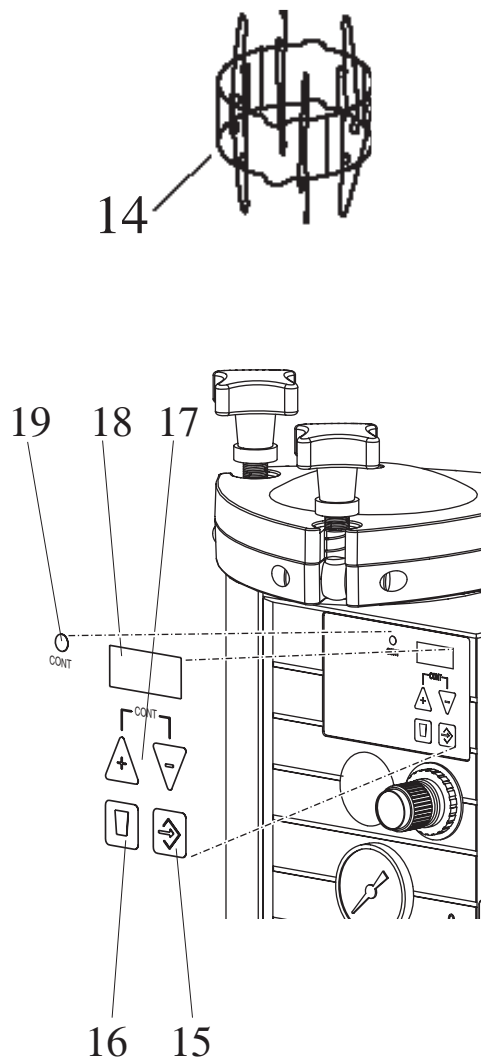
Regulator for setting the dispensing pressure.

Pulling and then turning the regulator knob can adjust the dispensing pressure. After releasing, the regulator knob re-engages a lock that prevents the setting from being unintentionally changed.

13 **Pressure Gauge**

Indication of the reservoir pressure.





14 Bottle Nesting Block (97009 only)

For fixing 250 ml and 500 g bottles aligned correctly to the level sensor.

15 Button 

Button for the storage of the new values set for the dispensing time [s].

When the indication of the dispensing time [s] in the digital display blinks, the indicated dispensing time is stored by pressing button and the display stops blinking.

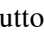

16 Button 

Button for filling the product feedline. In both modes the product is dispensed as long as button is pressed.

– In time-controlled mode, the dispensing time is not changed.

17 Buttons  

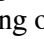
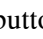
Buttons for changing the dispensing time for a dispensing sequence.


When button  or  is pressed, the display of the dispensing time [s] in the digital display begins to blink. The dispensing time is adjustable from 0.01 to 99.9 s.

Buttons for switching from time controlled mode to **continuous** mode.

With the simultaneous pressing of the buttons for more than 0.5 seconds, an operating mode change takes place to the **Continuous** mode. In the display, “con” appears. The lighting of the LED “CONT.” indicates **Continuous** mode.

During dispensing, the elapsed dispensing time is indicated in the digital display beginning each time with 0.00 s. The last dispensing time remains displayed until the next start.

– Switching back to time controlled mode **without storage** of the dispensing time by renewed pressing of button  or . The LED extinguishes. In the digital display, the dispensing time is blinking.

– Switching back to time controlled mode **with storage** of the dispensing time by pressing button . The LED extinguishes. The indicated dispensing time is stored.

18 Digital Display

Three-figure Display of the dispense time [s].

19 LED “CONT”

The lighting of the red LED “CONT” indicates Continuous mode.

3 Technical Data

3.1 Energy Requirements

3.1.1 Electric's

Power supply	Power supply 90 – 260 V AC; 47 – 63 Hz
Power consumption	Approx. 25 W
Power protection	Glass tube, fine wire fuse, 2 A semi time-lag
Internal control voltage	24 V DC

3.1.2 Pneumatics

Pneumatic supply	Min. 5 bar (70 PSI), max. 10 bar (145 PSI)	
Quality	Filtered 10 μ m, oil-free, non-condensing	
If the required quality is not achieved, install a LOCTITE® filter regulator.	Order Code no. see Section 9.1	
	97008	97009
Regulation range of the pressure regulator	0-7 bar (0-100 PSI)	0-4 bar (0-60 PSI)
Pressure indication	0-10 bar (0-145 PSI)	0-4 bar (0-60 PSI)

3.2 Connections and Dimensions

Power connection	Cold appliance coupling IEC 320 acc. to VDE 0625
Dimensions	W x H x D: 350 x 335 x 230 mm (13.8 x 13.2 x 9.1 inch)
Pneumatic supply	97008 and 97009: Internal Dia. 4 mm; external Dia. 6 mm +0.05, -0.10 External Dia. ¼ in. is not suitable! 97007 and 97010: 1/4" NPT fitting

3.3 Other Data

Weight	7.5 kg
Operation Temperature:	+10 °C to +40 °C (+50 °F to +104 °F)
Storage Temperature	-10 °C to +60 °C (+14 °F to +140 °F)
Continuous noise level	< 65 dB(A)

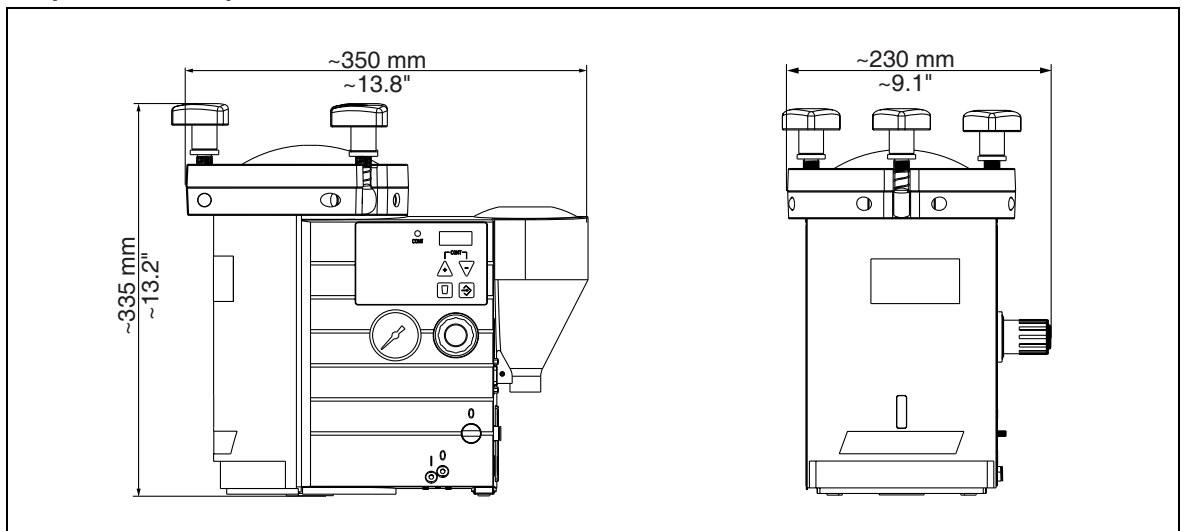
3.4 Safety Device

Over-pressure safety (rupture disc)	min. 9 bar (130 PSI); max. 12.5 bar (174 PSI) Tightening torque of the rupture disc max. 20 Nm
--	---

4.1 Environmental and Operating Conditions

- Keep the pressure hose as short as possible. Short switch-on and switch-off times for the dispensing valve are within reach.
- Keep product feed lines as short as possible. The shorter the feedline the smaller the specific resistance and the lower the dispensing pressure can be. Avoid kinking.
- In any cases, the pressure hose and product feedline should not be longer than 2 m.
- Do not use inflexible hoses and feed lines, so that unnecessary loads on the fittings will be avoided.
- Keep all fittings tight.
- No direct sunlight; no UV light.
- No condensing humidity.
- No splash water.

4.2 Space Requirements



4.3 Connecting the Unit

- Use only the cable and hose sets supplied.
- Connect power cord to power supply socket **6**.
- Connect air pressure supply to pneumatic connection **8**.

5.1 First Operation

- Check that the dispensing valve is connected correctly according to the operating manual.
- Switch the power switch **5** to position I (ON).



Notice

When you switch on the controller 97009 an empty signal with a peeping tone is indicated. This will happen because there is no product bottle in the reservoir.

5.2 Filling and Refilling the Product Reservoir



Warning!

Never fill the product directly into the reservoir!
The pneumatic and safety devices would become clogged and therefore ineffective!!

When dispensing cyanoacrylate and an empty signal is shown (only 97009), refill the product reservoir immediately, since air in the product line results in curing of the product! The dispensing can be further started.

Before loosening the reservoir knobs **2**, the reservoir must be depressurized (pressure-free)!

The reservoir is depressurized when the depressurizing valve **10** is in position and pressure gauge **13** indicates no pressure.

- Loosen the reservoir knobs **2** and remove the lid **1**.



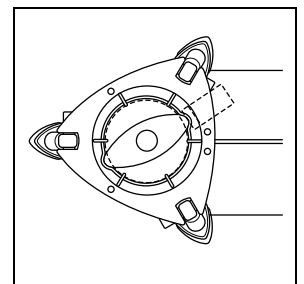
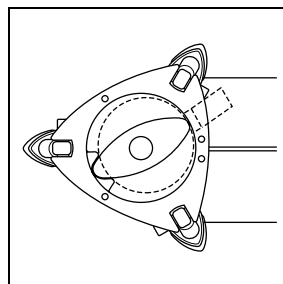
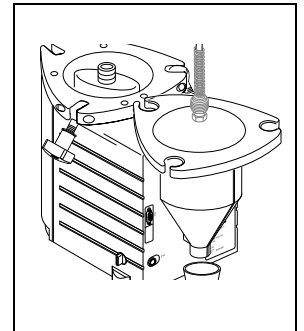
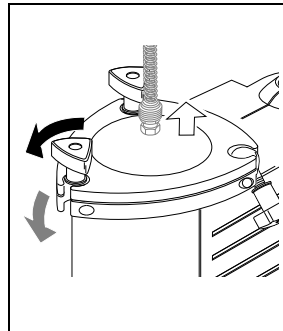
Caution!

Product residue on the product feedline!
Do not contaminate the product feedline with dust or moisture!

- Place the lid **1** on the drip funnel.
- Check that there is no condensed moisture at the bottle or the sensor surface.

97009 only:

- Place the bottle in the bottle-nesting block **14**.
- Check that the product bottle inserted in the bottle-nesting block **14** is pressed against the level sensor.
- Insert a full product bottle in the reservoir.
- Check that the product bottle inserted is pressed against the level sensor.



Caution!

If there is a gap between the bottle and the sensor, the sensor has to be adjusted. The adjustment should be done by authorized service personal only, see section 8.

- Insert the product feedline into the bottle and put on the lid **1**.
- Uniformly tighten the reservoir knobs **2** by hand.
- Set the depressurizing valve **10** to position (pressurize).

5.3 Adjusting the Dispensed Quantity

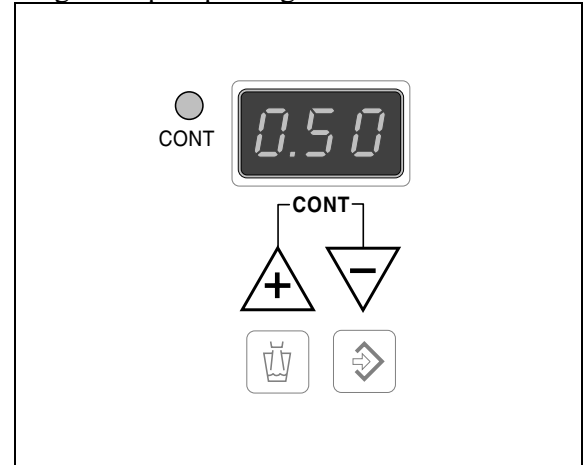
5.3.1 Time Controlled Mode

This mode of operation is used for spot shaped wetting or drop dispensing.

- With buttons \triangle or ∇ set the dispensing time to 0.50 s. The indication of the dispensing time in the digital display begins blinking.
- With the pressure regulator set the dispensing pressure to 0.5 bar (approx. 7 PSI).

If the dispensed quantity is too small:

- Increase the dispensing pressure. After this check the dispensed quantity.
Repeat this sequence until the desired dispensed quantity is roughly achieved.



When the desired dispensed quantity is roughly achieved:

- Set the exact dispensed quantity by changing the dispensing time with button \triangle or ∇ .
- Press the footswitch to check the dispensed quantity.

Storing of the dispensed quantity setting for subsequent dispensing:

- Press button \square . The indication of the dispensing time in the digital display stops blinking.

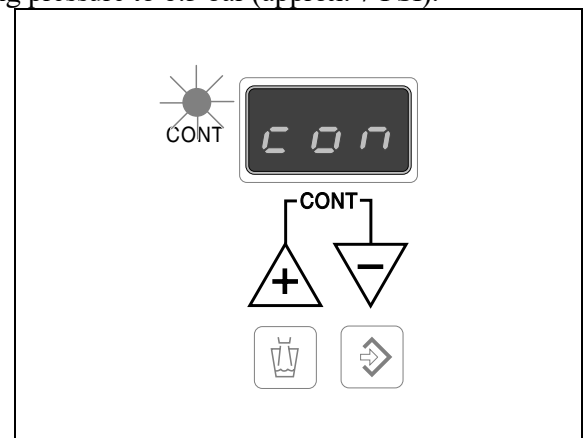
If the desired dispensed quantity is not achieved:

- With a larger (or smaller) dispensing needle, repeat the steps of this section.

5.3.2 Continuous Mode

This mode of operation is used for the application of beads.

- With the pressure regulator **12** set the dispensing pressure to 0.5 bar (approx. 7 PSI).
- Press the buttons \triangle and ∇ simultaneously. The lighting of the LED "CONT." indicates Continuous mode. The display of the dispensing time in the digital display is set to **con**.
- Press the button \square (or the foot switch) to check if the product is ejected quickly enough from the dispensing needle.



When the dispensed quantity is achieved too slowly:

- Increase the dispensing pressure or repeat this sequence with a larger dispensing needle.
- Switching back to time controlled mode without storage of the dispensing time by renewed pressing of button \triangle or ∇ . The LED extinguishes. In the digital display, the dispensing time is blinking.
- Switching back to time controlled mode with storage of the dispensing time by pressing button \square . The LED extinguishes. The indicated dispensing time is stored.

5

Dispensing

5.4 Shutdown for Longer Periods of Non-use

- Disconnect the pneumatic supply from the controller.

5.5 Returning to Operation after Longer Periods of Non-use

- Reconnect the pneumatic supply to the controller.
- Check the installation according to Chapter 4.
- Return to operation according to Section 5.1.

6

Care and Maintenance

- Occasionally the o-ring at the reservoir lid **3** should be lubricated with the enclosed silicone grease. This will prolong the life of the o-ring.



Notice

Clean hands after application of grease to assure surfaces to be bonded are clean. Otherwise bonding might fail.

- Clean the sensor surface, the drip funnel and drip cup as required.



Caution!

Both the bottle surface and the sensor surface must be free of condensed moisture!



- Check both the reservoir knobs **2** and the product feedline on a regular basis. If there is any sign of cracks, replace them!

7.1 Troubleshooting

Type of Malfunction	Possible Causes	Corrections
The digital display does not light.	<ul style="list-style-type: none"> – No power voltage present. – Powers switch 5 in position O (OFF). – Power fuse 7 is defective. – Power cord is defective. – Control unit is defective. 	<ul style="list-style-type: none"> • Check the power voltage. • Switch power switch to position I (ON). • Check/replace fuse. • Replace power cord. • Henkel Service.
No needle movement on the pressure gauge.	<ul style="list-style-type: none"> – No air pressure present. – Pressure gauge defective. – Pressure regulator defective. 	<ul style="list-style-type: none"> • Check depressurizing valve 10 and pneumatic supply. • Replace gauge. • Replace regulator.
LED does not light.	<ul style="list-style-type: none"> – LED defect. 	<ul style="list-style-type: none"> • When the controller is operational, the unit can be used until repaired by Henkel Service
No start signal.	<ul style="list-style-type: none"> – Plug on the socket XS 1: Start 9 is loose. – Footswitch defective. 	<ul style="list-style-type: none"> • Switch the power switch to the position O (OFF). Tighten the screws of the plug. Switch the power switch to the position I (ON). • Replace the Footswitch.
No product, too little or too much product.	<ul style="list-style-type: none"> – Dispensing pressure not set correctly. – Pressure hose not properly connected. – Luer-Lock tip cap not removed. – Dispensing needle clogged, too small or too large. – Dispensing valve not correctly connected or defective. – Product reservoir not switched on. – Product reservoir is empty. 	<ul style="list-style-type: none"> • Adjust dispensing pressure setting. • Connect air pressure hose correctly. • Replace Luer-Lock tip cap with a dispensing needle. • Replace dispensing needle. • Check the dispensing valve (see instruction manual for dispensing valve). • Check product reservoir. • Refill product reservoir (see Section 5.2).
The desired pressure is not achieved.	<ul style="list-style-type: none"> – Supply pressure inadequate. 	<ul style="list-style-type: none"> • Increase the supply pressure (min 0.5 bar above reservoir pressure).
Air bubbles in the product.	<ul style="list-style-type: none"> – Product reservoir is empty. – Product hose not correctly connected. – Dispensing valve not correctly connected or defective. – Product reservoir pressure is too high. 	<ul style="list-style-type: none"> • Refill product reservoir (see section 5.2). • Connect product hose correctly. • Check the dispensing valve (see instruction manual for dispensing valve). • Lower pressure, longer dispensing time.
Pressurized air escapes between reservoir housing and reservoir lid.	<ul style="list-style-type: none"> – Reservoir knob 2 not tightened. – O-ring leaky. 	<ul style="list-style-type: none"> • Tighten the reservoir knob. • Grease or renew the O-ring.
Pressurized air escapes in the reservoir housing.	<ul style="list-style-type: none"> – Punctured rupture disc. – Depressurizing valve 10 open or defective. 	<ul style="list-style-type: none"> • Replace the rupture disc (see section 7.2). • Close the depressurizing valve or change it.
Pressurized air escapes at the product connection 1.	<ul style="list-style-type: none"> – Union nut on the product connection not tightened. 	<ul style="list-style-type: none"> • Carefully tighten the union nut.

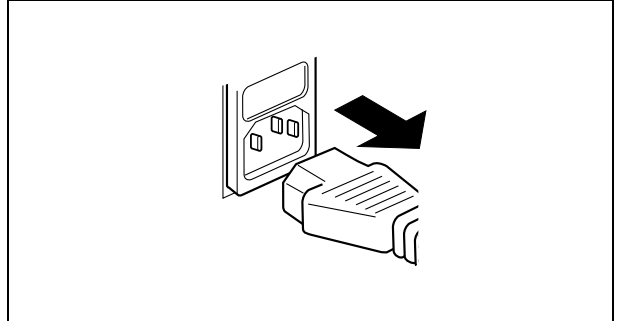
7.2 Replacing the Rupture Disk



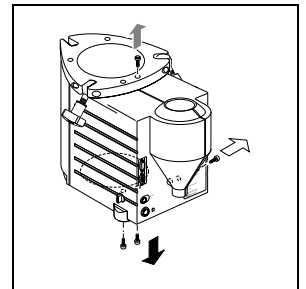
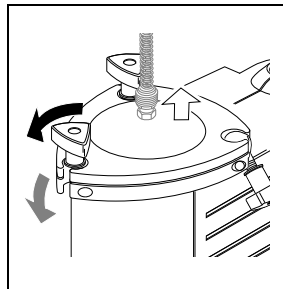
Notice

When the maximum allowable air supply pressure is exceeded, the bursting of the rupture disc depressurizes the reservoir. The punctured rupture disc must be replaced.

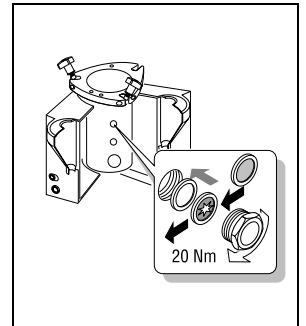
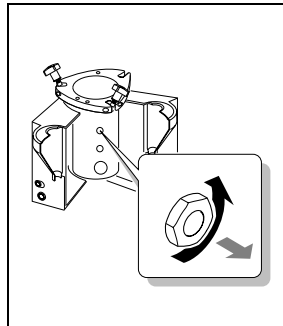
- Disconnect electrical power.



- Loosen the reservoir knob **2** and remove the reservoir lid **1**.
- Remove the screws and open the housing.



- Remove the rupture disc screw.
- Replace the punctured rupture disc with a new one.
- Replace and tighten the rupture disc screw.



Caution!

Tightening torque: maximum 20 Nm.
Affix the supplied type plate.

- Close the housing. Insert and tighten the screws.

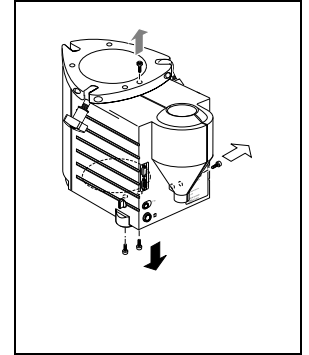
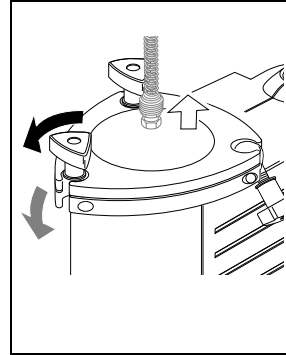
**Warning!**

Pay attention to the relevant safety regulations when working at the open controller.

**Notice**

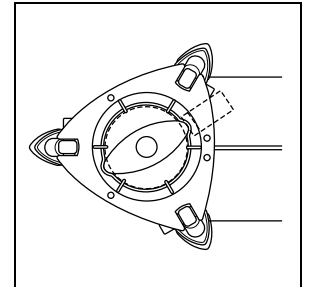
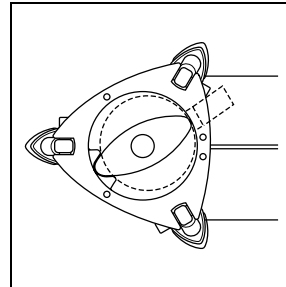
The level sensor must be adjusted according to the type of product used and the size of the bottle in order to function properly.

- Loosen the (3) reservoir knobs **2** and remove lid **1**.
- Remove the screws and open the housing.
- Empty a bottle of the product you use.
- Leave as much residue in the bottle as is required in order to prevent air getting into the product feedline.
- Insert the product bottle. For small bottles use bottle nesting block **14**.
- Check that the product bottle inserted into the bottle-nesting block is pressed against the level sensor. Only then the correct adjustment of the level sensor is possible.

**Notice**

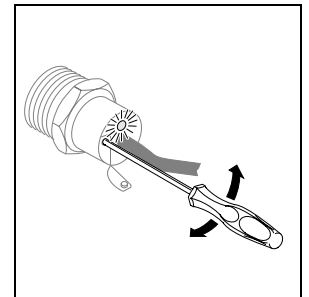
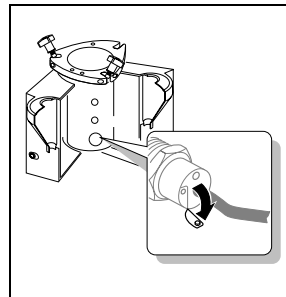
For product bottles, which do not fit into the bottle-nesting block, rotate the level sensor out or in so that it clamps the product bottle. If necessary, press the product bottle with a suitable aid against the level sensor.

- Switch on the power switch **5**.

**Warning!**

Pay attention to the relevant safety regulations when working at the open controller

- For 250 ml product bottle, pay attention to the correct position with respect to the level sensor.
- Remove the plastic cap from the level sensor.
- With an electrician's screwdriver, find the point at which the sensor switches to the condition inactive. The yellow LED extinguishes.

**Notice**

The correct adjustment is exactly the point when the sensor switches off.

Do not go beyond that point!

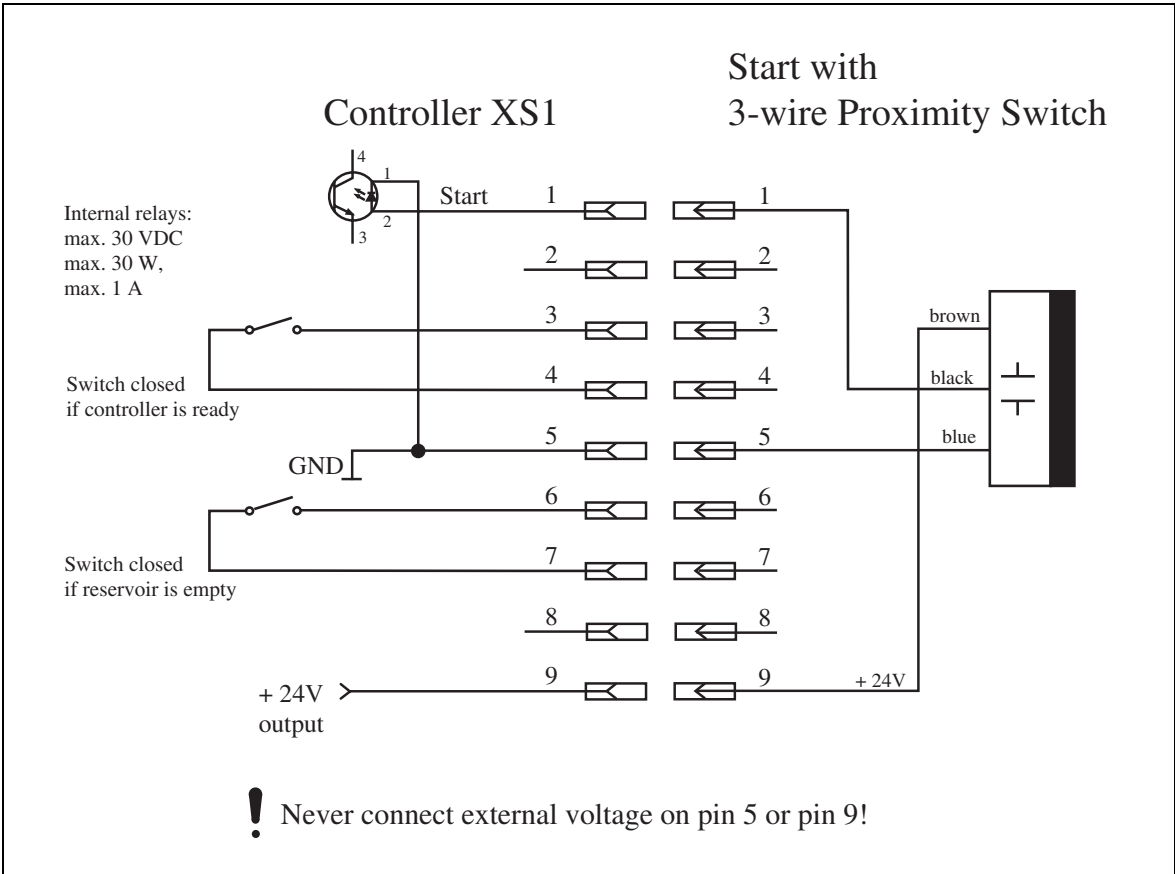
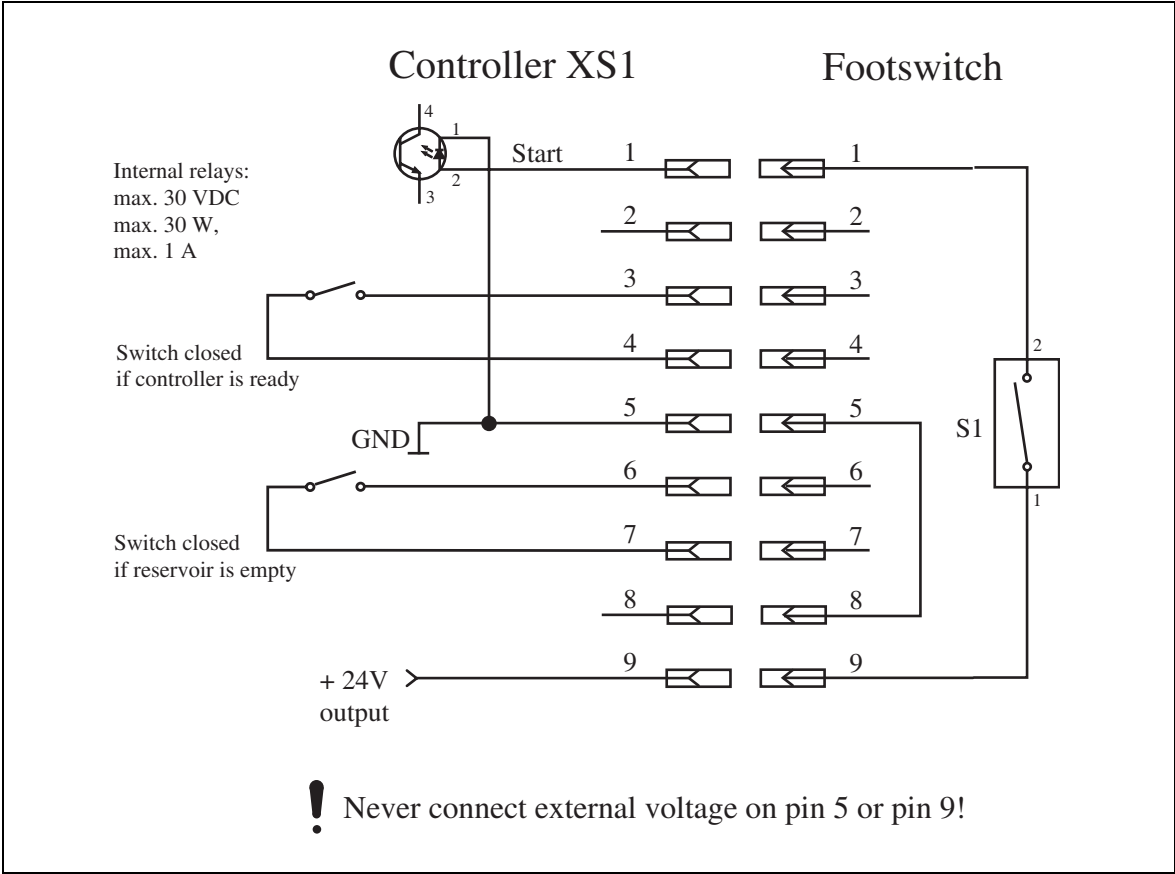
- Check this adjustment with a full bottle and an empty bottle again.
- Close the housing. Insert and carefully tighten the screws.

9.1 Spare Parts

Item	Description	Type No.	Order Code No.
–	2 l-Reservoir Spare Part Kit (1 O-ring, silicon grease, 3 handles, 3 drip cups).....	97253	195867
–	Rupture Disc.....	97251	195865
–	Bottle Nesting Block, for 97009 only	97202	195772
–	Filter Regulator	97120	88649
–	Footswitch.....	97201	88653
–	Power Cord, cold appliance coupling IEC 320 acc. To VDE 0625, male connector according to the national regulations such as DIN, VDE, IEC; SEV, UL, CSA, SEMKO, IEC/B.S., IEC/3-pin US.	_____	_____
–	Low Level Sensor with Cord	8950406	881498
–	Power Supply	8950490	881499
–	CPU Board	8950891	529516
13	Pressure Gauge 0 – 4 bar (0 – 58 PSI)	8950388	881497
The following spare parts have to be ordered at the local Festo branch:			
	for 97008		
12	Pressure Regulator 0 – 7 bar (0 –100 PSI).....	159506	LR-1/8-G-7
13	Pressure Gauge 0 – 10 bar (0 – 145 PSI)	159599	FMA-50-10-1/4-EN
	for 97009		
12	Precision Pressure Regulator0 – 4 bar (0 – 58 PSI).....	159501	LRP-1/4-4
10	Shut-off Valve.....	153475	HE-3-QS-6
–	5/2 way solenoid valve (control valve for external dispensing valve).....	34309	MYH-5/2-M5-L-LED

9.2 Pin Assignment XS 1

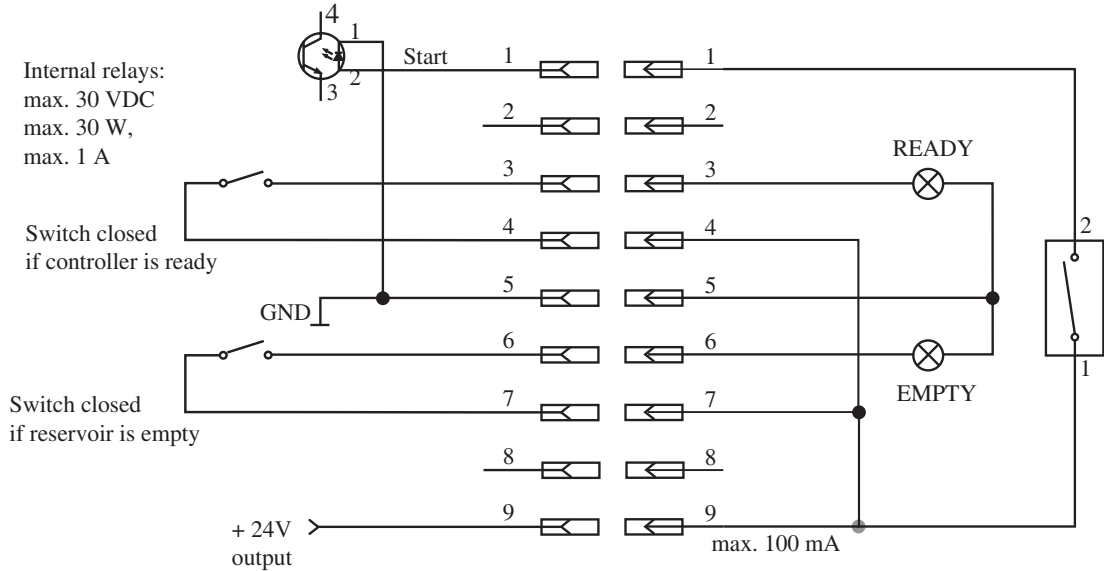
! **Caution!**
Never connect external voltage on pin 1 or 9!



97009 only

Controller XS1

READY and EMPTY lamps,
driven with internal voltage

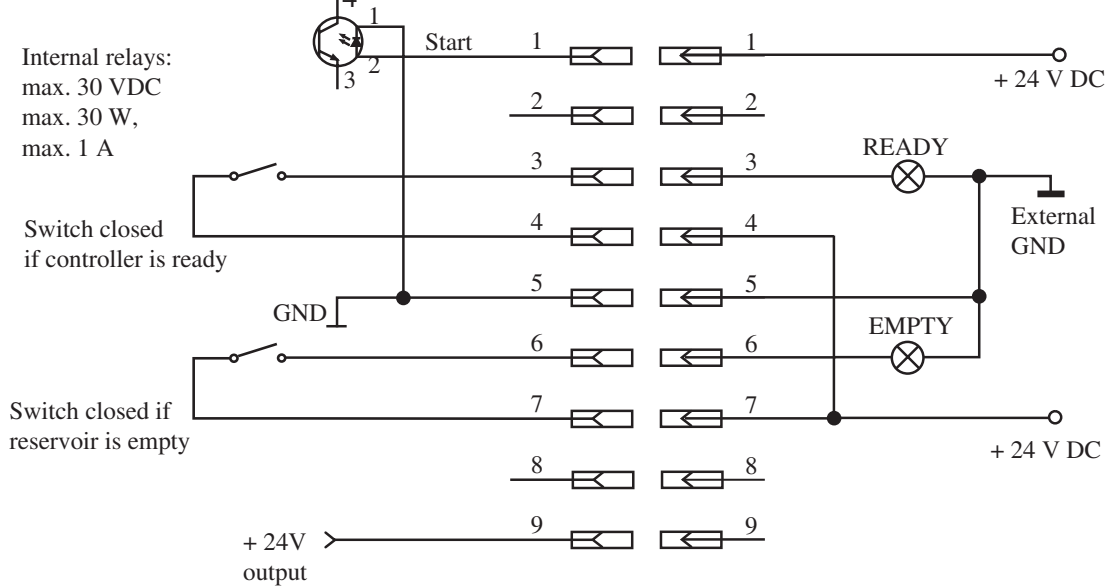


! Never connect external voltage on pin 5 or pin 9!

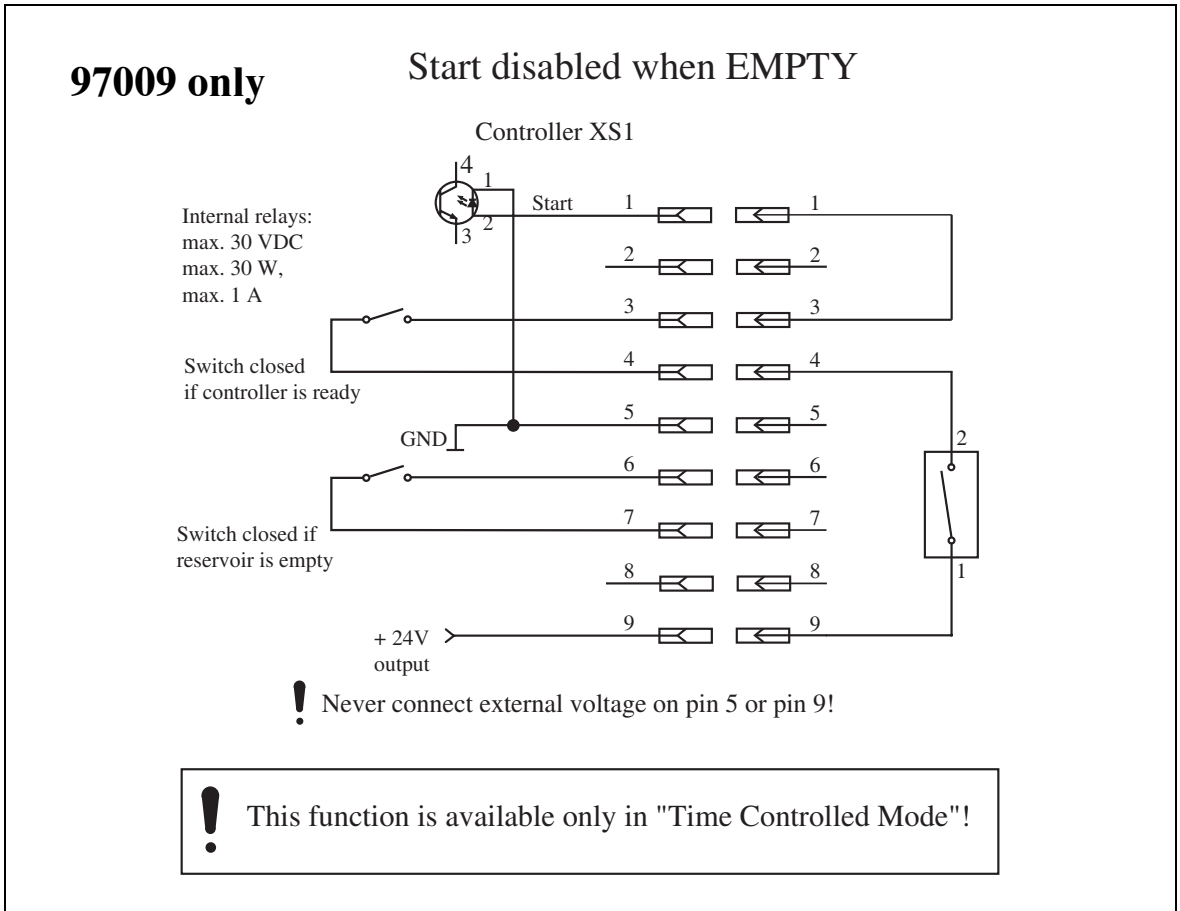
97009 only

Controller XS1

READY and EMPTY lamps,
driven with external voltage



! Never connect external voltage on pin 5 or pin 9!



9.3 Declaration of EC Conformity

Declaration of Conformity	
The Manufacturer	Henkel KGaA Standort München Gutenbergstr. 3 85748 Garching bei München
declares that the unit designated in the following is, as a result of its design and construction, in accordance with the European regulations, harmonized standards and national standards listed below.	
Designation of the unit	Semi-automatic Dispense Systems 97007/97008/97009/97010 only in connection with footswitch 97201
Unit number	97007: 346092 97008: 215844 97009: 215845 97010: 478456
Applicable EC Directives	EC Directive of Machinery 98/37/EEC including change 98/79/EC EC Directive for Electro-Magnetic Compatibility 2004/108/EG
Applicable harmonized standards	DIN EN 292-1, 1991.11; DIN EN 292-2, 1995.06 EN 50011/3.1991; EN 50082-2/3.1995
Manufacturer's signature	 (Dr. W. Fleischmann)
	12/10/2007
For changes to the unit that were not approved by Henkel, this declaration loses its validity.	

Inhaltsverzeichnis

1	Bitte beachten Sie	23
1.1	Hervorhebungen	23
1.2	Lieferumfang	23
1.3	Zu Ihrer Sicherheit	24
1.4	Einsatzbereich (Bestimmungsgemäße Verwendung)	23
2	Gerätebeschreibung	25
2.1	Funktionsbeschreibung	25
2.2	Bedienelemente und Anschlüsse	26
3	Technische Daten	28
3.1	Energieanforderungen	28
3.1.1	Elektrik	28
3.1.2	Pneumatik	28
3.2	Anschlüsse und Abmessungen	28
3.3	Sonstige Daten	28
3.4	Sicherheitseinrichtung	28
4	Installieren	29
4.1	Umgebungs- und Betriebsbedingungen	29
4.2	Platzbedarf	29
4.3	Anschließen des Gerätes	29
5	Dosieren	30
5.1	Erste Inbetriebnahme	30
5.2	Füllen und Nachfüllen des Produkttanks	30
5.3	Einstellen der Dosiermenge	31
5.3.1	Zeitgesteuerter Betrieb	31
5.3.2	Dauerbetrieb	31
5.4	Außerbetriebnahme für längere Stillstandszeiten	32
5.5	Inbetriebnahme nach längeren Stillstandszeiten	32
6	Wartung und Pflege	42
7	Fehlersuche	33
7.1	Fehlersuche	33
7.2	Austauschen der Berstscheibe	34
8	Einstellen des Füllstandsensors (nur 97009)	35
9	Anhang	37
9.1	Ersatzteilliste	36
9.2	Steckerbelegung XS 1	37
9.3	EG-Konformitätserklärung	39

1.1 Hervorhebungen



Gefahr!

Verweist auf Sicherheitsvorschriften und fordert Vorsichtsmaßnahmen, die den Betreiber des Gerätes oder andere Personen vor Verletzungs- oder Lebensgefahr schützen.



Achtung!

Hebt hervor, was getan oder unterlassen werden muss, um das Gerät oder andere Sachwerte nicht zu beschädigen.



Hinweis

Gibt Empfehlungen zum besseren Handhaben des Gerätes bei Bedien- und Einstellvorgängen sowie Pflegearbeiten.

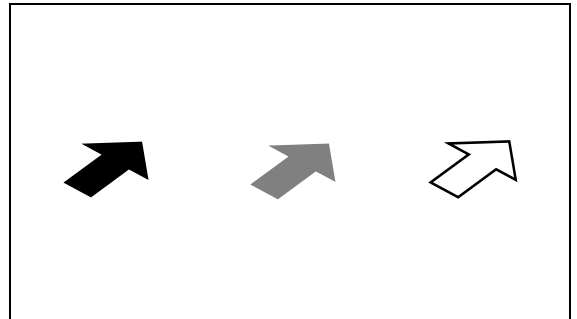
Die fett gedruckten Zahlen im Text beziehen sich auf die entsprechende Positionsnummer in der Abbildung auf den Seiten **26-27**.

- Der Punkt hebt einen Handlungsschritt hervor.

Handlungsschritte in den Abbildungen sind durch Pfeile gekennzeichnet.

Sind in einer Abbildung mehrere Handlungsschritte angegeben, hat die Schattierung des Pfeils folgende Bedeutung:

- Schwarzer Pfeil = 1. Handlungsschritt
- Grauer Pfeil = 2. Handlungsschritt
- Weißer Pfeil = 3. Handlungsschritt



1.2 Lieferumfang

- Standard-Dosiersystem Typ 97008, Order No. 215844 oder
- S Standard-Dosiersystem Type 97009, Order No. 215845
- Tropfbecher (3)
- Tube Silikonfett
- Bedienungsanleitung
- Fußschalter (nur 97007 und 97010)
- Flaschenhalter (nur 97009)
- Netzkabel



Hinweis

Bedingt durch die technische Entwicklung können Abbildungen und Beschreibungen in dieser Bedienungsanleitung vom tatsächlich ausgelieferten Gerät in Details abweichen.

1.3 Einsatzbereich (Bestimmungsgemäße Verwendung)

Das Standard-Dosiersystem eignet sich für die präzise Dosierung von LOCTITE®-Produkten an manuellen Bearbeitungsstationen in Werkstätten, Labors und Industrieeinrichtungen.

Es ist auf eine Produktdosierposition ausgelegt.

- Das Standard-Dosiersystem 97010 ist mit einem Präzisions-Druckregler 0-1 bar (0-15 PSI) ausgestattet.
- Das Steuergerät 97007 ist mit einem Druckregler 0-8 bar (0-115 PSI) ausgestattet.
- Die Typen 97008 und 97009 sind mit einem **Präzisionsdruckregler** 0-4 bar (0-60 PSI) ausgestattet.
- Das Steuergerät 97009 besitzt zusätzlich einen Füllstand-Sensor.

Das Standard-Dosiersystem ist in der Lage, anaerobe, UV-aushärtende und Cyanacrylat-Klebstoffe zu dosieren.

Volumen des integrierten Vorratstanks:

- 500 g-Flasche für CA-Produkte
- 250 ml-Flasche für anaerobe Produkte,
- Flasche mit 124 mm Durchmesser und Höhe 250 mm
- 1-lb-Flasche
- 1-Liter-Flasche
- 2-kg-Flasche

1.4 Zu Ihrer Sicherheit

Für den gefahrlosen und erfolgreichen Einsatz des Gerätes diese Anleitung vollständig lesen. Der Hersteller kann nicht für Schäden verantwortlich gemacht werden, die infolge der Nutzung abweichend vom bestimmungsgemäßen Gebrauch oder der Nichtbeachtung von Sicherheitshinweisen oder Warnungen, verursacht werden.

Bewahren Sie diese Anleitung nach Durchsicht griffbereit auf.

Technisches Datenblatt und Sicherheitsdatenblatt (gem. EU Richtlinie 91/155/EU) für das eingesetzte LOCTITE®-Produkt **anfordern** bei

Henkel KGaA

+49 89 92 68 11 67

089-92 68 11 22

für die englische Version der Datenblätter;

für die deutsche Version der Datenblätter

**Achtung!**

ANWEISUNGEN IN DIESEN DATENBLÄTTERN UNBEDINGT BEFOLGEN!

**Gefahr!**

Bei unsachgemäßem Umgang mit chemischen Produkten können Gesundheitsschäden auftreten!

Allgemeine Sicherheitsvorschriften für den Umgang mit Chemikalien beachten!

Herstellerhinweise beachten!

Sicherheitsdatenblatt des eingesetzten LOCTITE®-Produktes anfordern!

Beim Arbeiten mit Druckluft Schutzbrille tragen!

Bei Schäden am Netzkabel oder Gehäuse kann es zu Berührungen mit spannungsführenden Teilen kommen.

Vor jedem Gebrauch Netzkabel und Gerät kontrollieren.

Ein beschädigtes Netzkabel oder Gerät nicht in Betrieb nehmen!

Das beschädigte Netzkabel durch ein neues ersetzen.

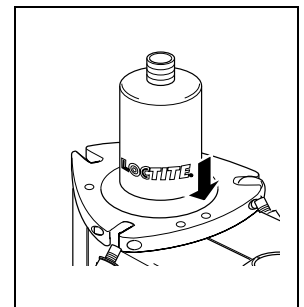
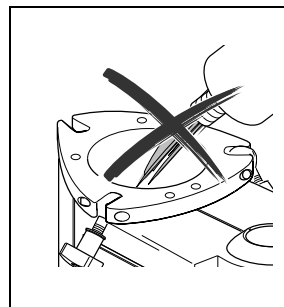
Das Gerät darf nur von einem qualifizierten Wartungstechniker geöffnet und repariert werden.

**Gefahr!**

Produkt niemals direkt in den Produkttank füllen!

Dies würde die pneumatischen Sicherheitseinrichtungen verstopfen und somit ihre Funktion ausschalten!

Verwenden Sie Produkte nur in der LOCTITE®-Originalverpackung!



2.1 Funktionsbeschreibung

Das Standard-Dosiersystem ist an eine externe Luftdruckversorgung angeschlossen. Diese sorgt für den eingestellten Dosierdruck und regelt die Dosierung während der gewählten Dosierzeit.

Eine Flasche des LOCTITE®-Produktes wird ohne Verschluss direkt in den integrierten Tank eingesetzt und der Deckel des Tanks wieder befestigt.

Anschließend wird der Tank mit sauberer, gefilterter und trockener Luft unter Druck gesetzt. Durch die Luft im Produkttank wird die Flüssigkeit in der Flasche durch den Produktschlauch zum Dosierventil gepresst.

Die Dosiermenge wird durch die folgenden drei Hauptfaktoren bestimmt:

- Dosierdruck im Produkttank
- Öffnungszeit des Dosierventils
- Größe der Dosiernadel

Zusätzliche Funktionen (nur 97009)

Zwei zusätzlichen Funktionen sind ab Produktions-Losnummer 2FFE0001 verfügbar.

Leermeldung:

Ist das Reservoir leer öffnet der Kontakt des Leermeldesensors. Ein Piepton ertönt und in der Anzeige erscheint ein “U”.

Fertigmeldung:

Ist der Dosierzyklus beendet und das Reservoir nicht leer (LEER-Signal steht nicht an) schließt der Kontakt.

Beide Signale sind als potentialfreie Relaiskontakte an der Schnittstelle XS1 zur weiteren Verwendung verfügbar, z. B. für eine übergeordnete Steuerung oder für ein Warnlicht

Steht das Signal LEER an, kann trotzdem ein Dosierstart erfolgen.



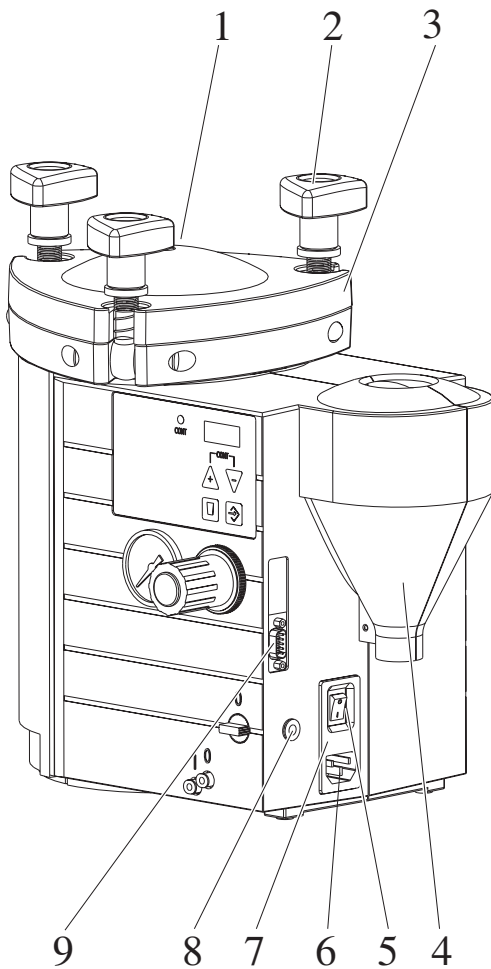
Achtung!

Bei Cyanacrylat-Dosierung – Luft in der Produktleitung kann zu Aushärtungen führen

Wenn der Bediener die Fehlermeldung LEER und den Piepton mit der Taste ENTER quittiert, wird auch das Signal LEER zurückgesetzt.

Das Signal FERTIG wird aber nur angezeigt, wenn das Reservoir mit Produkt gefüllt ist und damit der Sensor aktiviert ist.

2.2 Bedienelemente und Anschlüsse



- 1 **Produktanschluss 1/4" NPT**
- 2 **Deckelverschraubung**
- 3 **Deckel**
- 4 **Ablagetrichter**
Der Reservoir-Deckel kann hier abgelegt werden, solange die Produktflasche ausgetauscht wird.
- 5 **Netzschalter I/O (EIN/AUS)**
- 6 **Netzbuchse**
- 7 **Sicherung, 2 A mittelträge, Glasrohrfeinsicherung**

**Gefahr!**

Entfernen, Überbrücken oder Außerkräftsetzen der Sicherheitseinrichtungen kann zu Schäden am Gerät führen und ist deshalb verboten!

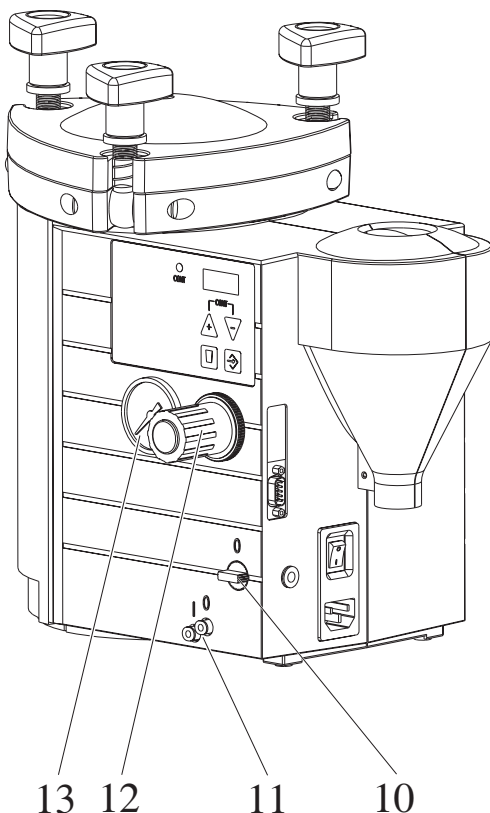
- 8 **Druckluftversorgung**
- 9 **Buchse XS 1: Start**
Hier wird der Fußschalter angeschlossen. Die Signale READY (Fertig) und EMPTY (Leer) können über diesen Anschluss abgefragt werden.
- 10 **Entlüftungsventil**
Ventilstellung \oplus : Der Produkttank ist entlüftet.
Ventilstellung \ominus : Der Produkttank kann belüftet werden.
- 11 **Steuerluftanschluss: Dosierventil A**
Dosierventil geöffnet I.
Dosierventil geschlossen O.
Bei nur einem betätigten Ventil ist Port O zu schließen.

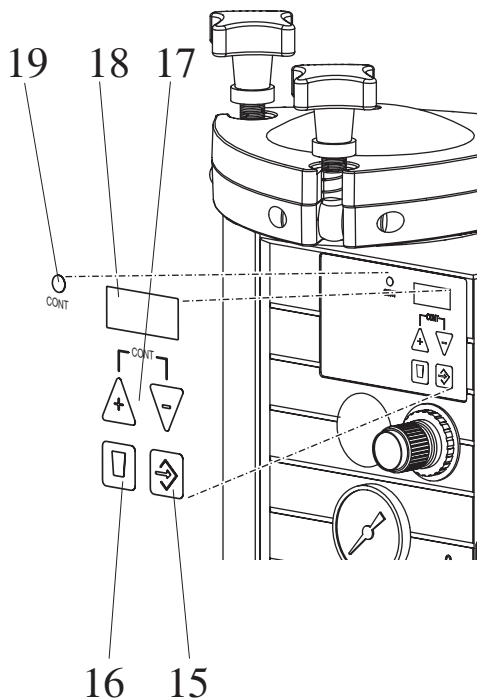
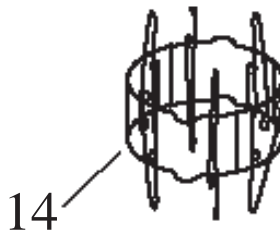
- 12 **Druckregler**
Regler für die Einstellung des Dosierdrucks.
Durch Ziehen und anschließendes Drehen des Reglerrads lässt sich der Dosierdruck verändern. Wenn das Reglerrad losgelassen wird, geht es zurück in seine arretierte Position. Auf diese Weise wird eine unbeabsichtigte Änderung der Druck-Einstellung vermieden.

Nur 97007:


Die Druckänderung ist stets in Uhrzeigerrichtung (ansteigender Druck) vorzunehmen. Wenn z.B. der Druck von 3 bar auf 2 bar abgesenkt werden soll, ist er zuerst durch Drehen im Gegenuhrzeigersinn von 3 bar auf 1 bar zu reduzieren und anschließend durch Drehen im Uhrzeigersinn auf 2 bar zu erhöhen. Durch diese Methode ist eine zuverlässige Druckeinstellung gewährleistet.


- 13 **Manometer**
Anzeige des Drucks im Produkttank.




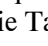




14 Flaschenhalter (nur 97009)
Um 250 ml- und 500 g-Gebinde zum Leermeldesensor korrekt auszurichten.

15 Taste 
Taste, mit der die neuen Einstellungen der Dosierzeit [s] gespeichert werden.
Wenn der Wert der Dosierzeit [s] auf der Digitalanzeige blinkt, wird die angezeigte Dosierzeit durch Betätigen der Taste gespeichert. Sobald der Wert gespeichert ist, blinkt er nicht mehr.



16 Taste 
Taste für das Befüllen des Produktschlauchs. In beiden Betriebsarten wird das Produkt, solange dosiert, wie die Taste gedrückt gehalten wird.
–In der zeitgesteuerten Betriebsart wird die Dosierzeit nicht verändert.


17 Tasten  
Tasten zur Änderung der Dosierzeit während einer Dosiersequenz.
Wenn die Taste  oder  gedrückt wird, beginnt der Wert der Dosierzeit [s] auf der Digitalanzeige zu blinken. Die Dosierzeit ist von 0,01 bis 99,9 s einstellbar.

Tasten zum Umschalten von zeitgesteuerter Betriebsart auf **Dauerbetrieb**.

Werden die Tasten gleichzeitig länger als 0,5 Sekunden lang gedrückt gehalten, wird in den Dauerbetrieb gewechselt. Auf der Anzeige erscheint „con“. Die LED „CONT“ zeigt **Dauerbetrieb** an.

Beim Dosieren wird auf der Digitalanzeige jedes Mal die abgelaufene Dosierzeit angezeigt (beginnend bei 0,0 Sekunden). Die zuletzt angezeigte Dosierzeit bleibt bis zum nächsten Start erhalten.

– Der Wechsel zurück in den zeitgesteuerten Modus **ohne Speicherung** der Dosierzeit erfolgt durch erneutes Drücken der Taste  oder . Die LED erlischt. Auf der Digitalanzeige blinkt die Dosierzeit.

– Der Wechsel zurück in den zeitgesteuerten Modus **mit Speicherung** der Dosierzeit erfolgt durch Drücken der Taste . Die LED erlischt. Die angezeigte Dosierzeit wird gespeichert.

18 Digitalanzeige
Dreistellige Anzeige der Dosierzeit [s].

19 LED „CONT“
Das Aufleuchten der roten LED „CONT“ zeigt den Dauerbetrieb an.

3

Technische Daten

3.1 Energieanforderungen

3.1.1 Elektrik

Spannung	Wechselspannung 90 - 260 V; 47 - 63 Hz
Leistungsaufnahme	Ca. 25 W
Netzsicherung	Glasrohrfeinsicherung, 2 A mittelträge
Interne Steuerspannung	24 V DC

3.1.2 Pneumatik

Druckluftversorgung	min. 5 bar (70 PSI), max. 10 bar (145 PSI)	
Qualität	Gefiltert 10 μ m, ölfrei, nicht kondensierend	
Wird die erforderliche Qualität nicht erreicht, ist ein LOCTITE®-Filterregler zu installieren.	Bestellnummer siehe Abschnitt 9.1	
	97008	97009
Regelbereich des Druckreglers	0-7 bar (0-100 PSI)	0-4 bar (0-60 PSI)
Druckanzeige	0-10 bar (0-145 PSI)	0-4 bar (0-60 PSI)

3.2 Anschlüsse und Abmessungen

Netzanschluss	Kaltgerätekupplung, IEC 320 gem. VDE 0625
Abmessungen	B x H x T: 350 x 335 x 230 mm
Druckluftversorgung	97008 und 97009: Innen- \emptyset . 4 mm; Außen- \emptyset 6 mm +0,05, -0,10 Außen- \emptyset 1/4" ist ungeeignet! 97007 und 97010: 1/4" NPT-Anschluss

3.3 Sonstige Daten

Gewicht	7,5 kg
Betriebstemperatur:	+10 °C bis +40 °C
Lagertemperatur	-10 °C bis +60 °C
Dauerschalldruckpegel	< 65 dB(A)

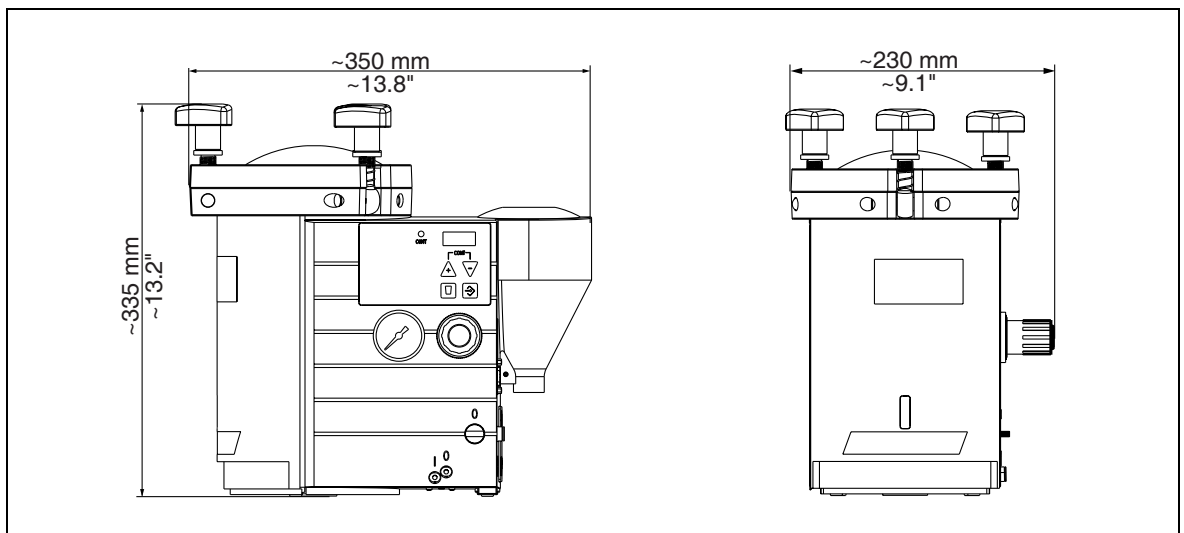
3.4 Sicherheitseinrichtung

Überdrucksicherheit (Berstscheibe)	min. 9 bar (130 PSI); max. 12,5 bar (174 PSI) Anzugsmoment der Berstscheibe max. 20 Nm
------------------------------------	---

4.1 Umgebungs- und Betriebsbedingungen

- Druckschlauch so kurz wie möglich halten. Kurze Ein- und Ausschaltzeiten für das Dosierventil sind möglich.
- Produktschläuche so kurz wie möglich halten. Je kürzer der Schlauch, desto geringer der spezifische Widerstand des Produktes und somit der Dosierdruck. Knicken des Schlauchs vermeiden.
- Produktschlauch und Druckschlauch sollten auf keinen Fall länger sein als 2 m.
- Keine starren Schläuche und Leitungen verwenden, um unnötige Belastungen der Anschlüsse zu vermeiden.
- Alle Anschlüsse müssen dicht sein.
- Direkte Sonneneinstrahlung und UV-Licht vermeiden!
- Keine kondensierende Feuchtigkeit.
- Kein Spritzwasser.

4.2 Platzbedarf



4.3 Anschließen des Gerätes

- Nur die mitgelieferten Kabel und Schlauchsets verwenden.
- Netzkabel in Netzbuchse **6** einstecken.
- Druckluftversorgung mit Pneumatik-Anschluss **8**.

5.1 Erste Inbetriebnahme

- Prüfen, dass das Dosierventil gemäß Benutzerhandbuch korrekt angeschlossen ist.
- Setzen Sie den Netzschalter **5** auf die Position I (ON).



Hinweis

Beim Einschalten des Steuergeräts 97009 erscheint ein Leersignal, und es ertönt ein Piepton. Dies geschieht, weil sich im Tank keine Produktflasche befindet.

5.2 Füllen und Nachfüllen des Produkttanks



Gefahr!


Niemals das Produkt direkt in den Tank füllen!

Die Pneumatik und die Sicherheitseinrichtung würden verstopft und wären somit funktionslos!

Die Flasche im Produkttank nie völlig entleeren! Der Eintritt von Luft in die Produktleitung führt zu Störungen bei der Dosierung.

Wird bei der Dosierung von Cyanacrylat ein Leersignal angezeigt, nur 97009, ist sofort der Produkttank nachzufüllen, da sonst die Gefahr besteht, dass Luft in den Produkt-Schlauch eintritt, die das Produkt aushärten lässt! Weitere Dosierungen lassen sich nach wie vor starten.

Vor dem Lösen der Deckelverschraubung **2** muss der Produkttank entlüftet (drucklos) sein!

Der Produkttank wird entlüftet, wenn sich das Entlüftungsventil **10** in der Position  befindet und das Manometer **13** keinen Druck anzeigt.

- Deckelverschraubung **2** lösen und Deckel **1** abnehmen.



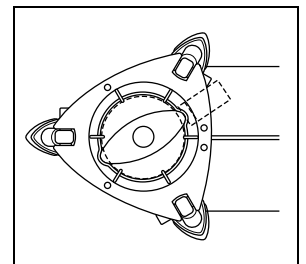
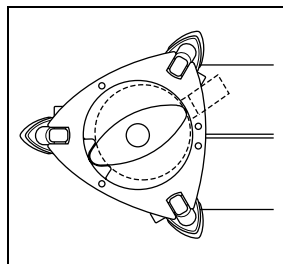
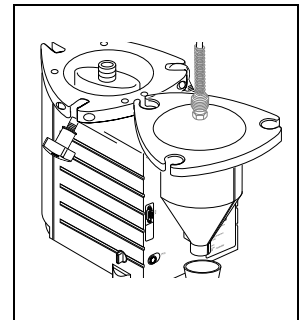
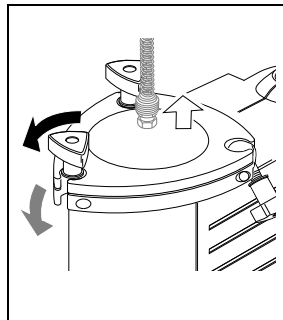
Achtung!

Produktrückstände am Produktschlauch!
Produktschlauch frei von Staub oder Feuchtigkeit halten!

- Deckel **1** auf den Ablagetrichter legen.
- Überprüfen, dass keine kondensierte Luftfeuchtigkeit an der Flasche oder an der Sensoroberfläche ist.

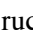
Nur 97009:

- Eine volle Produktflasche in den Flaschenhalter **14** im Produkttank einsetzen.
- Die in den Flaschenhalter **14** eingesetzte Produktflasche muss bündig am Füllstandsensor anliegen.



Achtung!

Ist zwischen Flasche und Sensor eine Lücke vorhanden, ist die Einstellung des Sensors zu verändern. Diese Einstellung hat durch qualifiziertes Fachpersonal zu erfolgen, siehe Abschnitt 8.

- Den Produktschlauch in die Flasche einführen und den Deckel **1** aufsetzen.
- Deckelverschraubung **2** gleichmäßig von Hand festziehen.
- Entlüftungsventil **10** auf Position  stellen (Druckaufbau).

5.3 Einstellen der Dosiermenge

5.3.1 Zeitgesteuerter Betrieb

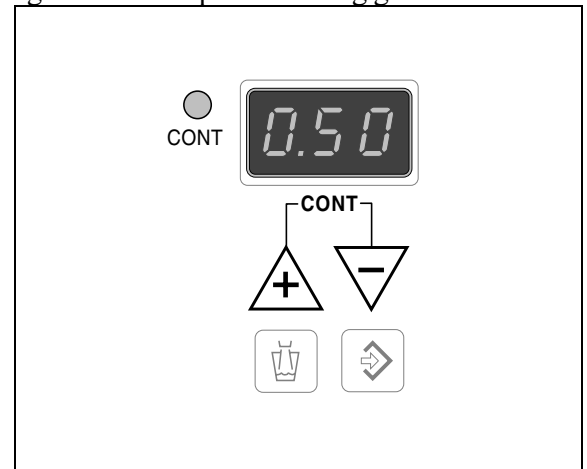
Diese Betriebsart wird bei punktförmiger Benetzung bzw. bei Tropfendosierung genutzt.

- Mit den Tasten \triangleup oder \triangledown die Dosierzeit auf 0,5 Sekunden einstellen. Der Wert der Dosierzeit auf der Digitalanzeige beginnt zu blinken.
- Mit dem Druckregler den Dosierdruck auf 0,5 bar (etwa 7 PSI) einstellen.

Wenn die Dosiermenge zu gering ist:

- Dosierdruck erhöhen. Danach die Dosiermenge erneut prüfen.

Diesen Ablauf solange wiederholen, bis die gewünschte Dosiermenge ungefähr erreicht wird.



Wenn die gewünschte Dosiermenge ungefähr erreicht wird:

- Die genaue Dosiermenge wird eingestellt, indem die Dosierzeit verändert wird. Dies geschieht mit der Taste \triangleup oder \triangledown .
- Fußschalter drücken, um die Dosiermenge zu prüfen.

Speicherung der Dosiermengeneinstellung für nachfolgende Dosieranwendungen:

- Taste $\square \rightarrow$ drücken. Der Wert der Dosierzeit auf der Digitalanzeige hört auf zu blinken.

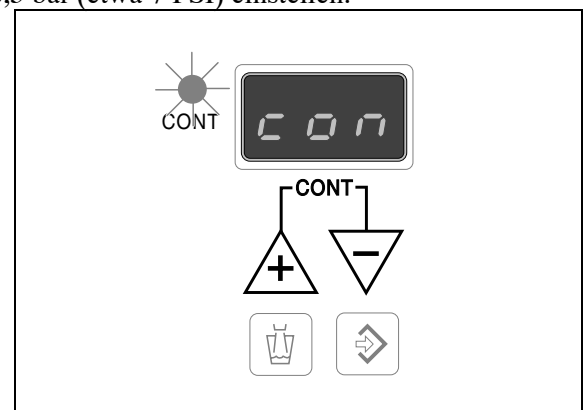
Wenn die gewünschte Dosiermenge nicht erreicht wird:

- Mit größerer (bzw. kleinerer) Dosiernadel diese Anweisungen wiederholen.

5.3.2 Dauerbetrieb

Diese Betriebsart wird gewählt, wenn Produktraupen dosiert werden sollen.

- Mit dem Druckregler **12** den Dosierdruck auf 0,5 bar (etwa 7 PSI) einstellen.
- Gleichzeitig die Tasten \triangleup und \triangledown drücken. Das Aufleuchten der LED „CONT“ zeigt Dauerbetrieb an. Der Wert der Dosierzeit auf der Digitalanzeige wird auf **con** eingestellt.
- Taste $\square \rightarrow$ (oder den Fußschalter) drücken, um festzustellen, ob das Produkt schnell genug aus der Dosiernadel herausgedrückt wird.



Wenn die Dosiermenge zu langsam erreicht wird:

- Dosierdruck erhöhen oder Ablauf mit einer größeren Dosiernadel wiederholen.
- Der Wechsel zurück in den zeitgesteuerten Modus ohne Speicherung der Dosierzeit erfolgt durch erneutes Drücken der Taste \triangleup oder \triangledown . Die LED erlischt. Auf der Digitalanzeige blinkt die Dosierzeit.
- Der Wechsel zurück in den zeitgesteuerten Modus mit Speicherung der Dosierzeit erfolgt durch Drücken der Taste $\square \rightarrow$. Die LED erlischt. Die angezeigte Dosierzeit wird gespeichert.

5

Dosieren

5.4 Außerbetriebnahme für längere Stillstandszeiten

- Die Druckluftversorgung des Steuergerätes unterbrechen.

5.5 Inbetriebnahme nach längeren Stillstandszeiten

- Druckluftversorgung zum Steuergerät wiederherstellen.
- Installation gemäß Kapitel 4 überprüfen.
- Inbetriebnahme gemäß Abschnitt 5.1.

6

Wartung und Pflege

- Gelegentlich den O-Ring am Deckel **3** des Produkttanks mit dem mitgelieferten Silikonfett schmieren. Dadurch erhöht sich die Lebensdauer des O-Rings.



Hinweis

Nach dem Umgang mit Fett die Hände sorgfältig reinigen, um zu gewährleisten, dass berührte Klebeflächen sauber sind. Andernfalls ist möglicherweise keine sichere Verklebung gegeben.

- Bei Bedarf die Oberfläche des Sensors, den Ablagetrichter und den Auffangbehälter reinigen.



Achtung!

Die Oberflächen von Flasche und Sensor müssen frei von Kondensfeuchtigkeit sein!



Hinweis!

Deckelverschraubung **2** und Produktschlauch in regelmäßigen Abständen überprüfen. Auswechseln, sobald undichte Stellen oder Rissbildung erkennbar sind!

7.1 Fehlersuche

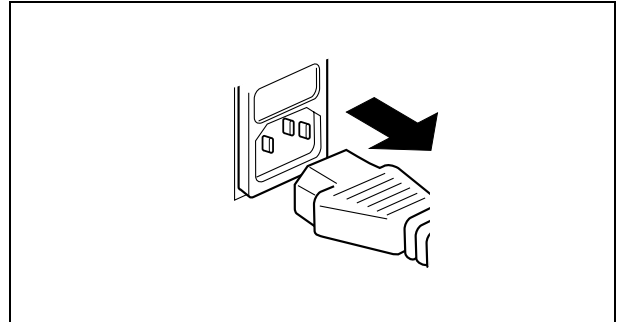
Art der Störung	Mögliche Ursachen	Abhilfe
Digitalanzeige leuchtet nicht.	<ul style="list-style-type: none"> – Keine Netzspannung vorhanden. – Netzschalter 5 in Stellung O (Aus). – Netzsicherung 7 defekt. – Netzkabel defekt. – Steuergerät defekt. 	<ul style="list-style-type: none"> • Netzspannung prüfen. • Netzschalter auf Position I stellen. • Netzsicherung prüfen/erneuern. • Netzkabel austauschen. • Henkel-Service.
Kein Ausschlag am Druckmesser.	<ul style="list-style-type: none"> – Keine Druckluft vorhanden. – Manometer defekt. – Druckregler defekt. 	<ul style="list-style-type: none"> • Entlüftungsventil 10 und Druckluftversorgung prüfen. • Manometer austauschen. • Druckregler austauschen
LED leuchtet nicht.	<ul style="list-style-type: none"> – LED defekt. 	<ul style="list-style-type: none"> • Solange die Steuereinheit in Betrieb ist, kann die Anlage weiter genutzt werden, bis sie vom Henkel-Service repariert wird.
Kein Startsignal.	<ul style="list-style-type: none"> – Stecker an Buchse XS 1: Start 9 ist locker. – Fußschalter defekt. 	<ul style="list-style-type: none"> • Netzschalter in Position 0 (Aus) bringen. Schrauben des Steckers anziehen. Netzschalter in Position I (Ein) bringen. • Fußschalter auswechseln.
Keine, zu wenig oder zu viel Produktabgabe.	<ul style="list-style-type: none"> – Dosierdruck nicht richtig eingestellt. – Druckschlauch nicht richtig angeschlossen. – Luer-Lock-Verschluss nicht entfernt. – Dosiernadel klemmt, zu klein oder zu groß. – Dosierventil nicht richtig angeschlossen oder defekt. – Produkttank nicht eingeschaltet. – Produkttank leer. 	<ul style="list-style-type: none"> • Dosierdruck richtig einstellen. • Druckschlauch richtig anschließen. • Luer-Lock-Verschluss gegen Dosiernadel austauschen. • Dosiernadel auswechseln. • Dosierventil prüfen (siehe Bedienungsanleitung Dosierventil). • Produkttank überprüfen. • Produkttank nachfüllen (siehe Abschnitt 5.2).
Gewünschter Druck wird nicht erreicht.	<ul style="list-style-type: none"> – Vordruck unzureichend. 	<ul style="list-style-type: none"> • Vordruck erhöhen (mind. 0,5 bar über Tankdruck).
Luftblasen im Produkt.	<ul style="list-style-type: none"> – Produkttank leer. – Produktschlauch nicht richtig angeschlossen. – Dosierventil nicht richtig angeschlossen oder defekt. – Tankdruck zu hoch. 	<ul style="list-style-type: none"> • Produkttank nachfüllen (siehe Abschnitt 5.2). • Produktschlauch richtig anschließen. • Dosierventil prüfen (siehe Bedienungsanleitung Dosierventil). • Tankdruck reduzieren, Dosierzeit verlängern.
Zwischen Tankgehäuse und Deckel tritt Druckluft aus.	<ul style="list-style-type: none"> – Deckelverschraubung 2 nicht fest. – O-Ring undicht. 	<ul style="list-style-type: none"> • Deckelverschraubung anziehen. • O-Ring fetten oder auswechseln.
Druckluft entweicht im Produkttankgehäuse.	<ul style="list-style-type: none"> – Berstscheibe zerstört. – Entlüftungsventil 10 geöffnet oder defekt. 	<ul style="list-style-type: none"> • Berstscheibe auswechseln (siehe Abschnitt 7.2). • Entlüftungsventil schließen oder austauschen.
Druckluft entweicht am Produktanschluss 1	<ul style="list-style-type: none"> – Überwurfmutter am Produktanschluss nicht angezogen. 	<ul style="list-style-type: none"> • Überwurfmutter vorsichtig nachziehen.

7.2 Austauschen der Berstscheibe

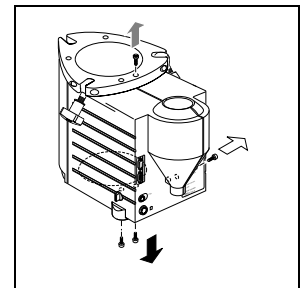
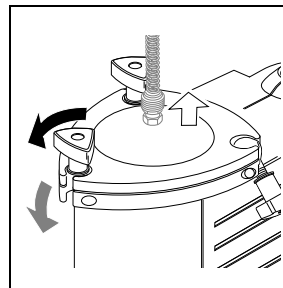


Bei Überschreitung des maximal zulässigen Versorgungsluftdrucks wird der Produkttank durch Bersten der Berstscheibe entlüftet. Die zerstörte Berstscheibe muss ausgewechselt werden.

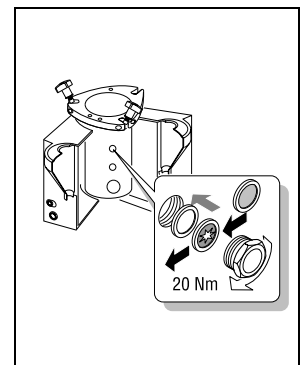
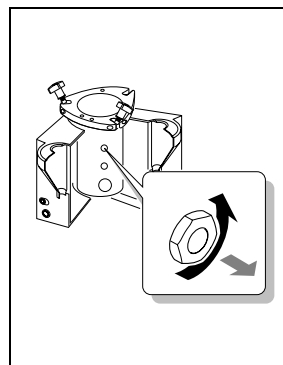
- Netzversorgung ausschalten.



- Deckelverschraubung 2 lösen und Deckel 1 abnehmen.
- Schrauben herausholen und Gehäuse entfernen.



- Befestigungsschraube der Berstscheibe entfernen.
- Alte Berstscheibe gegen neue austauschen.
- Mit neuer Befestigungsschraube die Berstscheibe anziehen.



Achtung!

Anzugsmoment: maximal 20 Nm.
Das mitgelieferte Typenschild anbringen..

- Gehäuse zuklappen. Befestigungsschrauben wieder einsetzen und festziehen.

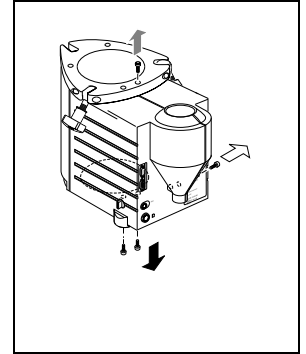
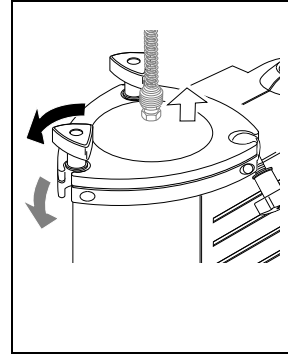
**Gefahr!**

Bei Arbeiten am geöffneten Steuergerät sind die relevanten Sicherheitsvorschriften einzuhalten!

**Hinweis**

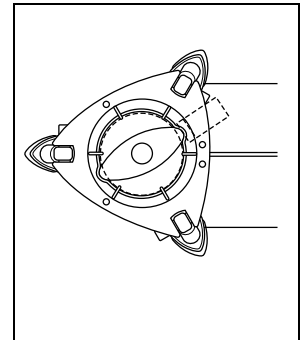
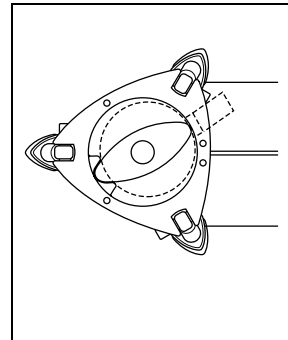
Der Füllstandsensor muss entsprechend der verwendeten Produktart und Flaschengröße eingestellt werden, damit er ordnungsgemäß funktioniert.

- (3) Deckelverschraubungen 2 lösen und Deckel 1 entfernen.
- Befestigungsschrauben entfernen und Gehäuse aufklappen.
- Eine Flasche des verwendeten Produkts leeren.
- Ausreichend Klebstoff in der Flasche belassen, um zu verhindern, dass Luft in den Produktschlauch gelangt.
- Produktflasche einsetzen. Bei kleinen Flaschen Flaschenhalter verwenden.
- Prüfen, ob die in den Flaschenhalter 14 eingesetzte Produktflasche bündig am Füllstandsensorm anliegt. Nur dann ist eine korrekte Einstellung des Füllstandsensors möglich.

**Hinweis**

Bei Produktflaschen, die nicht in den Flaschenhalter passen, ist der Füllstandsensorm so nach außen oder innen zu drehen, so dass die Produktflasche festgeklammert wird.

Bei Bedarf die Produktflasche mit einem geeigneten Werkzeug gegen den Füllstandsensorm drücken.

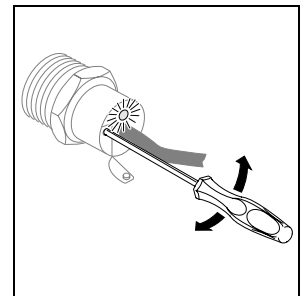
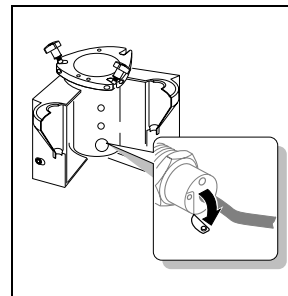


- Netzversorgung 5 einschalten.

**Gefahr!**

Bei Arbeiten am geöffneten Steuergerät sind die relevanten Sicherheitsvorschriften einzuhalten.

- Bei der 250 ml-Produktflasche ist auf die richtige Position zum Füllstandsensorm achten.
- Kunststoffkappe vom Füllstandsensorm abnehmen.
- Mit dem Elektronschraubendreher den Punkt suchen, an dem der Sensor in den Zustand inaktiv umschaltet. Die gelbe LED erlischt.

**Hinweis**

Die richtige Einstellung ist genau dann erreicht, wenn der Sensor sich ausschaltet.

Nicht über diesen Punkt hinausgehen!

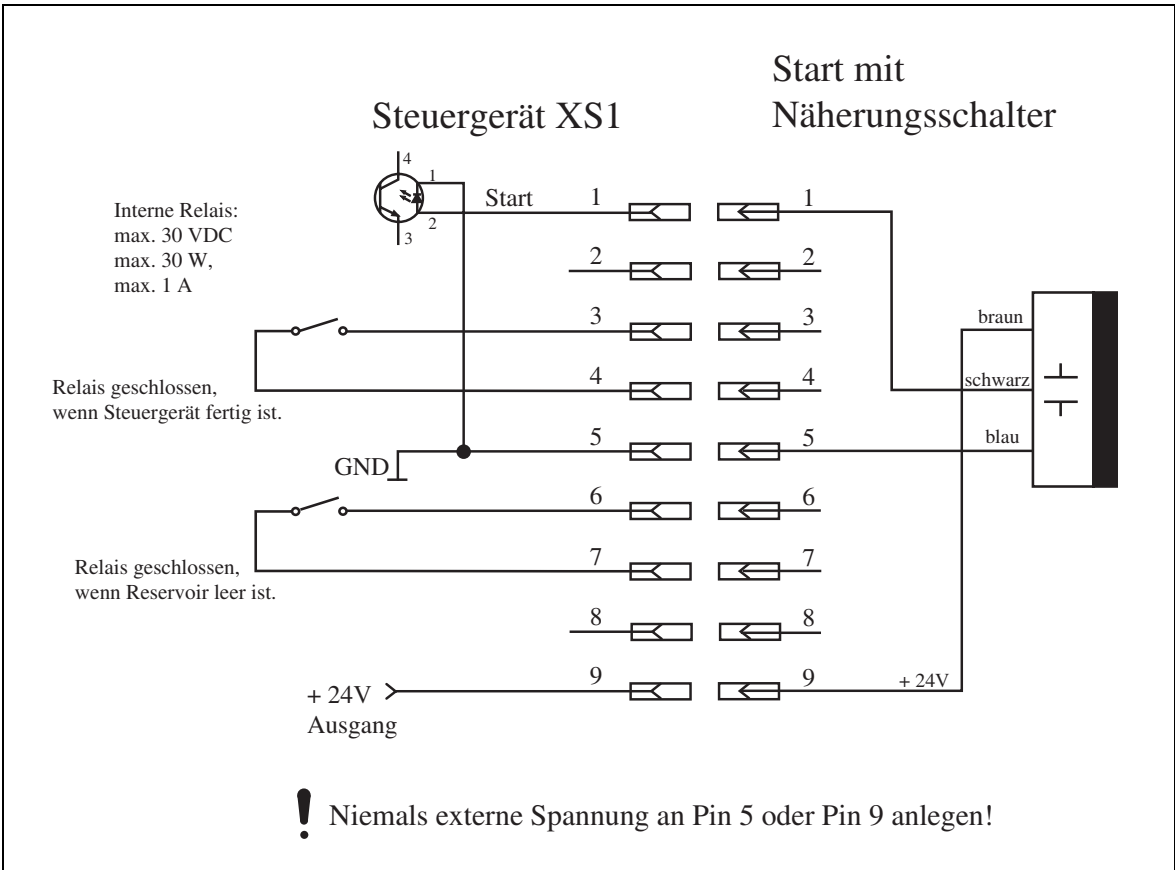
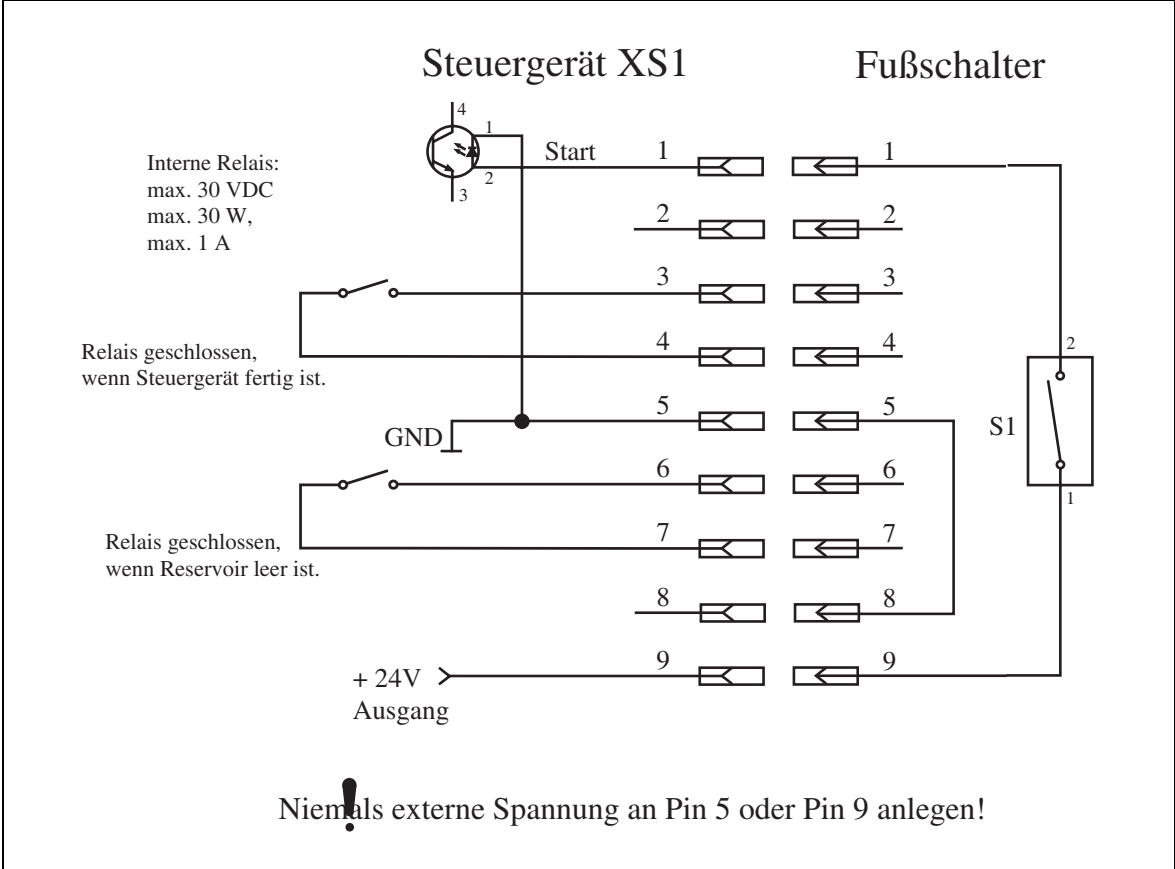
- Einstellung mit einer vollen Flasche und nochmals mit einer leeren Flasche prüfen.
- Gehäuse zuklappen. Schrauben einsetzen und vorsichtig anziehen.

9.1 Ersatzteilliste

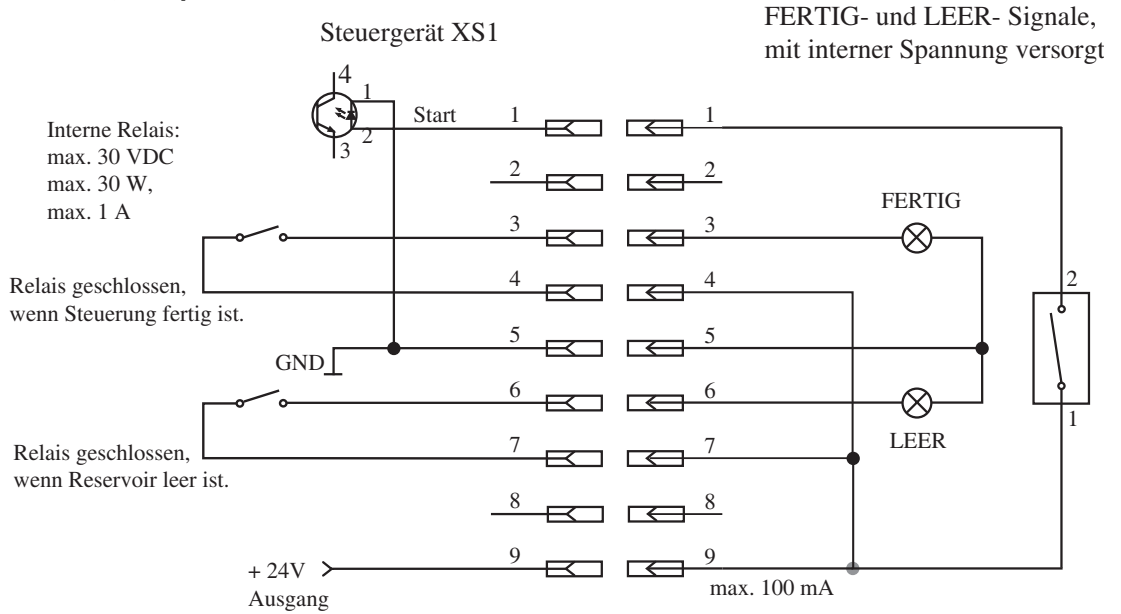
Lfd. Nr.	Beschreibung	Typ-Nr.	Bestellnr.
	2 l-Produktbehälter Ersatzteilset (1 O-Ring, Silikonfett, 3 Dreikantgriffe, 3 Auffangschalen)	97253	195867
	Berstscheibe.....	97251	195865
	Flaschenhalter, nur 97009	97202	195772
	Wartungseinheit.....	97120	88649
	Fußschalter	97201	88653
	Netzkabel, Kaltgerätekupplung IEC 320 gemäß VDE 0625, Netzstecker gemäß nationaler Vorschriften wie DIN, VDE, IEC; SEV, UL, CSA, SEMKO, IEC/B.S., IEC/3-pin US DIN, VDE, IEC, SEV, UL, CSA, SEMKO, IEC/B.S., IEC/3-pin US.	_____	_____
	Füllstandssensor mit Anschlusskabel	8950406	881498
	Netzteil	8950490	881499
	CPU Platine	8950891	529516
13	Manometer 0 – 4 bar (0 – 58 PSI)	8950388	881497
Folgende Ersatzteile können direkt bei der örtlichen Festo-Niederlassung bestellt werden:			
	nur 97008		
12	Druckregler 0 – 7 bar (0 – 100 PSI)	159506 LR-1/8-G-7	
13	Manometer 0 – 10 bar (0 – 145 PSI)	159599 FMA-50-10-1/4-EN	
	nur 97009		
12	Präzisionsdruckregler 0 – 4 bar (0 – 58 PSI)	159501 LRP-1/4-4	
10	Be-/Entlüftungsventil	153475 HE-3-QS-6	
	5/2-Wege-Magnetventil (Steuerventil für externes Dosierventil)	34309 MYH-5/2-M5-L-LED	

9.2 Steckerbelegung XS 1

! **Achtung!**
Niemals externe Spannung an Pin 1 oder Pin 9 anlegen!

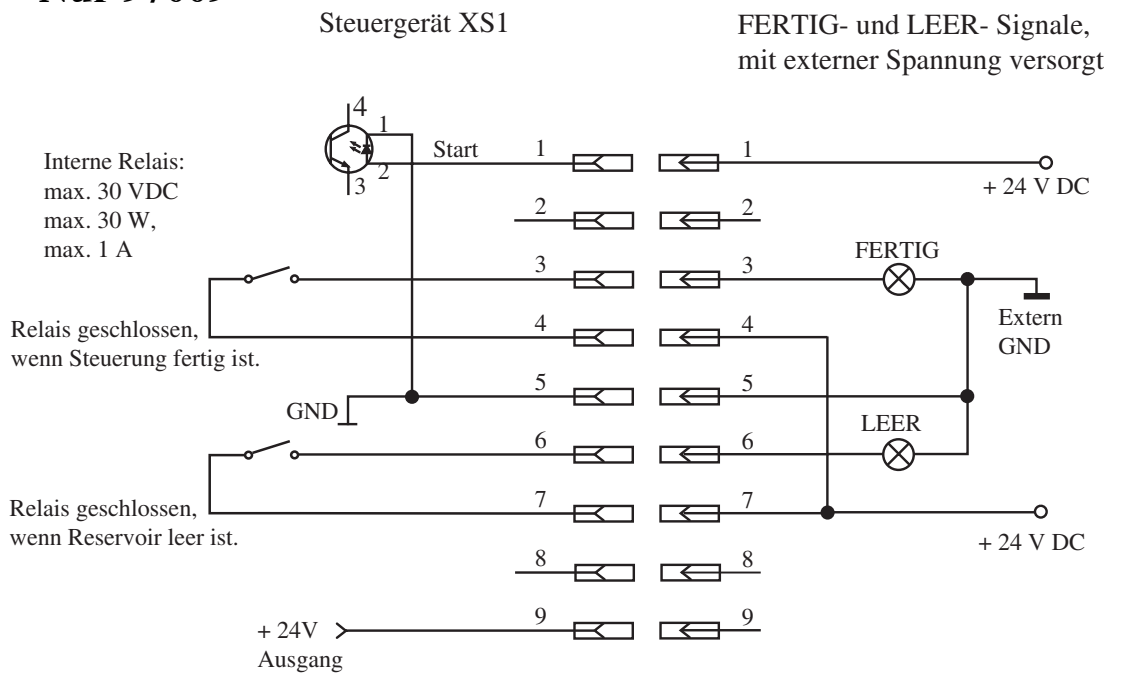


Nur 97009



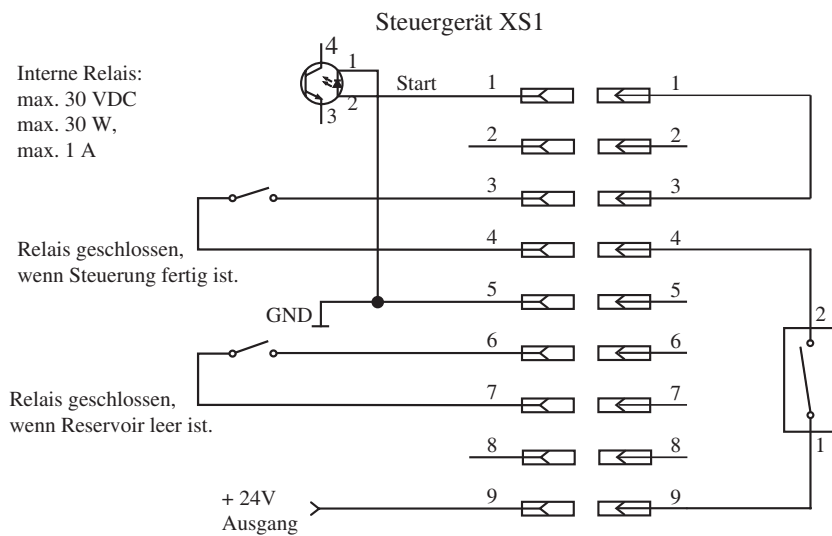
! Niemals externe Spannung an Pin 5 oder Pin 9 anlegen!

Nur 97009



! Niemals externe Spannung an Pin 5 oder Pin 9 anlegen!

Nur 97009 Start blockiert, wenn LEER-Meldung ansteht



! Niemals externe Spannung an Pin 5 oder Pin 9 anlegen!

! Diese Funktion steht nur im zeitgesteuerten Modus zur Verfügung!

9.3 EG-Konformitätserklärung

Konformitätserklärung

Gemäß EG-Maschinen-Richtlinien 98/37/EWG

Hersteller

Henkel KGaA
Standort München
Gutenbergstr. 3
85748 Garching bei München

erklärt, dass das nachfolgend bezeichnete Gerät aufgrund seiner Konzipierung und Bauart den unten aufgeführten europäischen Richtlinien, harmonisierten Normen und nationalen Normen entspricht.

Bezeichnung des Gerätes

Standard-Dosiersysteme 97007/97008/97009/97010 nur in Verbindung mit Fußschalter 97201

Gerätenummer

97007: 346092
97008: 215844
97009: 215845
97010: 478456

Anwendbare EG-Richtlinien

EMV-Richtlinie 89/336/EWG einschließlich Änderungen 2004/108/EG
Maschinen-Richtlinie 98/37/EG einschließlich Änderung 98/79/EG

Anwendbare harmonisierte Normen

DIN EN 292-1, 1991.11; DIN EN 292-2, 1995.06
EN 50011/3.1991; EN 50082-2/3.1995

Hersteller-Unterschrift

10.12.2007

(Dr. W. Fleischmann)

Bei einer nicht mit uns abgestimmten Änderung des Gerätes verliert diese Erklärung ihre Gültigkeit.

Henkel KGaA
Standort München
Gutenbergstraße 3
D-85748 Garching b. München

